

TWS-1815

Wireless Sounder with Flasher

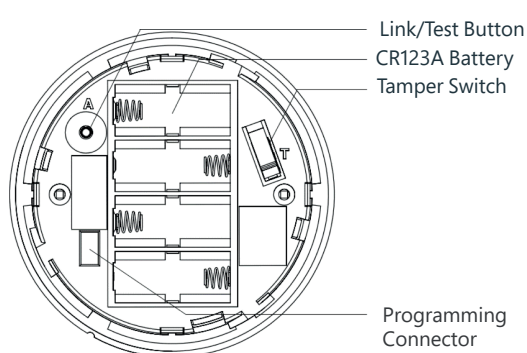
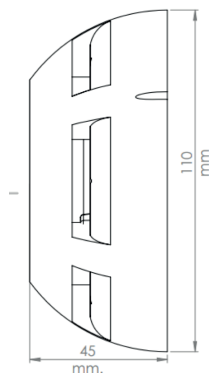
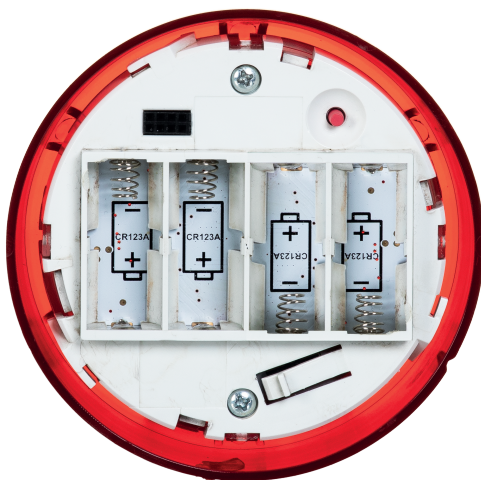


TWS-1815 works as sounder, flasher or both options at the same time according to project needs. It operates with 4pcs CR123A battery and communicates completely wirelessly with the control panel.

It has two different color options, white and red. Supports 3 different sound level along with 3 different flasher mode.

GENERAL FEATURES

- EN54-3, EN54-23 and EN 54-25 Certified
- Approx. 500mt Wireless Coverage (Open Area)
- 6 Years Battery Lifetime with 4X CR123A Battery
- Only Sounder, Only Flasher or Both Options can be Operated
- 3 Different Sound Level
- 3 Different Flasher Mode (Slow, Normal, Fast)



Technical Specifications	TWS-1815
Standard	EN54-3, EN54-23, and EN54-25
Operating Frequency	868Mhz
RF Power	14dBm (25mW)
Number of Channel	10
Coverage	500mt (Open Space)
Battery	6 Years With 4X CR123A Battery
Average Consumption	20µA (@12V)
Sound Level	88,4dB / 90,3dB / 95dB ±2 (@12VDC, 1mt.)
Flasher Coverage	W-2,4-4
Sounder Mode	3 Modes (Low-Mid-High)
Sounder Tone Options	42 Different Tone
Flasher Mode	3 Modes (Slow-Normal-Fast)
Operating Temperature	-10°C ~ 55°C
Color and Body Material	RED / White - UL94 non-flammability Polycarbonate
Dimensions (mm)	Ø:110mm, h:55mm (Includes Base)
Wight	190gr. (Without Battery)
Humidity	95% RH
Protection Class	IP21C