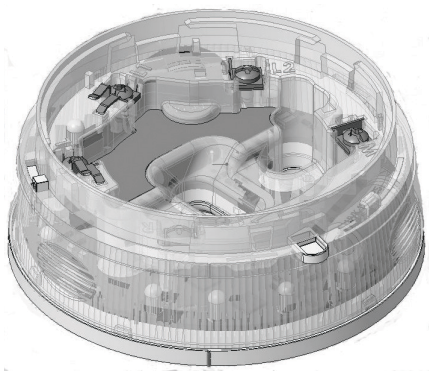


Visual Alarm Device Open Class Base Sounder Beacon

	<p>The FC442AVB Open Class Visual Alarm Device Sounder Beacon is a loop powered unit driven from an addressable control panel.</p> <p>The FC442AVB has an integral two port loop short circuit isolator.</p> <p>The FC442AVB also has a base for fitting a fire detector, or alternatively a blanking cap can be used.</p> <p>Settings for the tones, beacon flash rate and volume levels are all configurable using the control panel.</p> <p>The selectable flash rates are as follows:</p> <ul style="list-style-type: none"> ■ 1Hz (one flash every second) ■ 0.5Hz (one flash every two seconds)
---	---

Summary of the range

Product	Details	Order number
FC442AVB	Addressable OC Base Sounder Beacon	576.440.015
Accessories		
B-CAP	Blanking Cap For Sounder/VID/VAD Bases	557.080.001
A-CON	Conduit Adaptor For Sounder/VID/VAD Bases	557.080.002

Table 1: Summary of the range

Performance characteristics

	FC442AVB
Mounting orientation	Ceiling
Indoor type A/outdoor type B	Indoor
Weight (g)	154
Housing material	PC
Housing colour	Clear
Operating temperature (°C)	-25 to +70
Storage temperature (°C)	-25 to +70
Humidity	Up to 95% non-condensing
Pressure	Sounder SPL output quoted for 1000 mBar
Sounder volume settings	4
EN54-17 isolator	Yes
EN54-3 sounder	Yes
EN54-23 visual alarm	Yes
Vibration, shock, corrosion, EMC	Complies with EN54 series requirements
Beacon flash rates	0.5 and 1 Hz
Ingress protection	IP21C
Typical Sounder output at 1 metre	
High volume	90 dBA
Mid High volume	80 dBA
Mid Low volume	70 dBA
Low volume	60 dBA*
Beacon performance	
Flash colour	White
Electrical characteristics	
Addressable loop voltage	20 V - 40 V, 35 V Typical

Table 2: Performance characteristics

*The Low setting on the FC442AVB does not meet the volume level requirements of EN54-3.

Note: For IP21C protection, a fire detector or blanking cap must be fitted.

Beacon performance

The FC442AVB is a category O - open class device (see Fig.1). The data applies to both the Slow Flash (1/2 Hz) and the Fast Flash (1 Hz) while it is fitted with either a detector or a blanking cap.

The light distribution is cylindrically symmetrical about an axis at a right angle (Alpha of 90°) to the surface on which the device is mounted, i.e. when the device is mounted on a horizontal ceiling, the light distribution is symmetrical about an axis extending vertically downwards through the centre of the device. The light distribution in Fig.1 represents a cross-section through the volumetric shape using the values as indicated in table 3.

Alpha [degrees]	Distance [metres]
90	0
75	0
60	1
45	1.4
30	1.75
15	1.95
0	1.85

Table 3: Beacon-Sounder - 0.4 lm/m² illumination distance

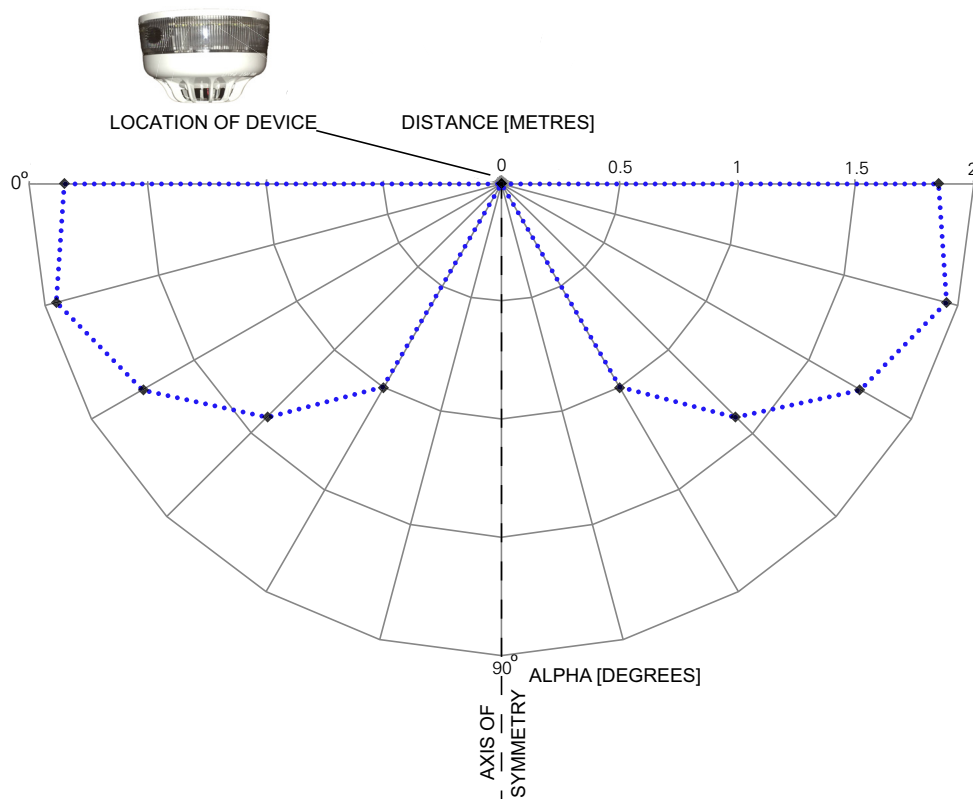


Fig. 1: Beacon-Sounder - ceiling mount light distribution

Address programming

Default address = 255. Set the address before installation using either the FC490ST service tool with its ancillary lead.

Isolator characteristics

Parameter	Isolator	
$V_{min}, V_{max}, V_{nom}$	Line voltage range	20 V-40 V, 35 V nominal
$V_{SO min}, V_{SO max}$	Isolator trip threshold range	18.5 V - 19.99 V
$V_{SC min}, V_{SC max}$	Isolator recovery threshold	2.5 V, 3.5 V
$I_{C max}$	Maximum rated continuous current	1.1 A
$I_{L max}$	Leakage current into short circuit (isolated tripped)	10 mA
$I_{S max}$	Maximum rated switching current	1.1 A non-inductive
$Z_{C max}$	Maximum series impedance	0.5 Ω
$Z_{C typ}$	Typical series impedance	0.25 Ω

Table 4: Isolator characteristics

Sounder tones and performance

Tone name	Tone description			Configurable/monitored (only if volume is 80 dB or above)
	Pattern	Frequency	Rate	Ceiling
Dutch Slow Whoop	Sweep	500 to 1200	Rising over 3.5 s, 0.5 gap	Yes/Yes
7 Hz Fast Sweep	Sweep	800 to 970	142.8 ms ramp 7 Hz	Yes/Yes
BS 1 Hz Sweep	Sweep	800 to 970	1 Hz	Yes/Yes
2 Tone	Alternating	660 / 880	500 ms per tone	Yes/Yes
Temporal 4	Intermittent	880	500 ms On 500 ms Off x 4 then 1 second gap	Yes/Yes
Temporal 3	Intermittent	880	500 ms On 500 ms Off x 3 then 1 second gap	Yes/Yes
March Time Beep	Intermittent	880	500 ms On 500 ms Off	Yes/Yes
Continuous 970	Continuous	970	Steady	Yes/Yes
DIN 1 Hz Sweep	Sweep	1200 to 500	Falling over 1 s	Yes/Yes
Banshee LF Buzzer	Sweep	800 to 950	120 Hz	Yes/Yes
3 Hz Banshee	Sweep	800 to 950	3 Hz	Yes/Yes
9 Hz Banshee	Sweep	800 to 950	9 Hz	Yes/Yes
Alternating	Alternating	554/440	554 Hz for 100 ms and 440 Hz for 400 ms	Yes/Yes
Yodalarm	Alternating	800/1000	250 ms for each frequency	Yes/Yes
Conventional Bell	Continuous	1450	Steady	Yes/Yes

Table 5: Sounder tones and performance

Note 1: If the pulse pattern is assigned by the control panel, then only continuous tones can be configured.

Note 2: The conventional bell is a simulated tone with limited bandwidth. It is not advisable to mix conventional bells with electronic sounders producing a simulated bell tone.

Loop loading

Sounder volume	Beacon flash rate	Alarm current
OFF	OFF	0.35 mA
LOW	OFF	2.45 mA
HIGH	OFF	4.32 mA
HIGH	0.5 Hz	8.10 mA
HIGH	1 Hz	11.30 mA

Table 6: Loop loading

Note: Please refer to the loop loading calculator for these units.

Sounder performance Volume HIGH

Volume HIGH	Angle	Ceiling devices - sound performance horizontal (dBA at 1 m)						Ceiling devices - sound performance vertical (dBA at 1 m)					
		15°	45°	75°	105°	135°	165°	15°	45°	75°	105°	135°	165°
Dutch Slow Whoop	40V	> 95	> 87	> 83	> 82	> 80	> 80	> 94	> 87	> 82	> 81	> 84	> 87
	20V	> 93	> 86	> 82	> 80	> 78	> 78	> 92	> 83	> 80	> 79	> 82	> 87
7 Hz Fast Sweep	40V	> 93	> 85	> 81	> 79	> 77	> 78	> 92	> 85	> 81	> 80	> 81	> 87
	20V	> 91	> 83	> 79	> 77	> 76	> 76	> 90	> 82	> 79	> 78	> 80	> 86
BS 1 Hz Sweep	40V	> 94	> 86	> 82	> 81	> 78	> 79	> 93	> 86	> 82	> 80	> 83	> 88
	20V	> 92	> 85	> 81	> 79	> 77	> 77	> 91	> 83	> 79	> 79	> 82	> 86
2 Tone	40V	> 94	> 86	> 83	> 82	> 76	> 80	> 94	> 86	> 82	> 80	> 84	> 88
	20V	> 93	> 85	> 82	> 80	> 76	> 78	> 91	> 83	> 79	> 79	> 82	> 85
Temporal 4	40V	> 98	> 90	> 87	> 85	> 80	> 84	> 97	> 89	> 84	> 84	> 88	> 92
	20V	> 93	> 87	> 84	> 82	> 77	> 81	> 95	> 87	> 79	> 79	> 82	> 89
Temporal 3	40V	> 98	> 90	> 87	> 85	> 80	> 84	> 97	> 90	> 84	> 84	> 88	> 92
	20V	> 95	> 87	> 84	> 82	> 77	> 81	> 95	> 88	> 82	> 82	> 85	> 89
March Time beep	40V	> 98	> 90	> 87	> 85	> 80	> 84	> 97	> 90	> 84	> 84	> 87	> 91
	20V	> 95	> 87	> 84	> 82	> 77	> 81	> 96	> 88	> 81	> 81	> 87	> 91
Continuous 970 Hz	40V	> 92	> 82	> 79	> 77	> 77	> 74	> 92	> 83	> 79	> 76	> 79	> 83
	20V	> 91	> 79	> 77	> 75	> 75	> 72	> 90	> 81	> 79	> 75	> 79	> 83
DIN 1 Hz Sweep	40V	> 94	> 86	> 81	> 79	> 78	> 78	> 93	> 86	> 81	> 81	> 82	> 87
	20V	> 91	> 83	> 79	> 77	> 75	> 75	> 91	> 83	> 80	> 79	> 81	> 86
Banshee LF Buzzer	40V	> 94	> 86	> 81	> 79	> 77	> 77	> 93	> 85	> 81	> 80	> 82	> 87
	20V	> 91	> 84	> 78	> 75	> 75	> 73	> 91	> 84	> 79	> 79	> 80	> 85
3 Hz Banshee	40V	> 94	> 86	> 82	> 82	> 77	> 78	> 93	> 85	> 81	> 80	> 82	> 87
	20V	> 91	> 83	> 79	> 77	> 75	> 76	> 91	> 83	> 79	> 78	> 81	> 86
9 Hz Banshee	40V	> 94	> 85	> 81	> 78	> 76	> 77	> 92	> 85	> 81	> 80	> 81	> 87
	20V	> 92	> 83	> 79	> 76	> 74	> 75	> 90	> 83	> 79	> 78	> 80	> 85
Alternating	40V	> 95	> 86	> 82	> 80	> 78	> 79	> 94	> 87	> 81	> 81	> 84	> 87
	20V	> 91	> 84	> 79	> 76	> 76	> 76	> 92	> 85	> 79	> 79	> 82	> 86
Yodalarm	40V	> 94	> 85	> 81	> 78	> 76	> 78	> 93	> 86	> 81	> 80	> 81	> 87
	20V	> 90	> 82	> 78	> 76	> 75	> 75	> 90	> 83	> 79	> 79	> 80	> 85
Conventional Bell	40V	> 91	> 83	> 78	> 79	> 76	> 77	> 91	> 83	> 81	> 79	> 81	> 86
	20V	> 89	> 81	> 78	> 77	> 75	> 76	> 89	> 82	> 80	> 78	> 79	> 84

Table 7: Sounder performance Volume HIGH

Sounder performance Volume MID-LOW

Volume MID-LOW		Ceiling devices - sound performance horizontal (dBA at 1 m)						Ceiling devices - sound performance vertical (dBA at 1 m)						
Tone		Angle	15°	45°	75°	105°	135°	165°	15°	45°	75°	105°	135°	165°
Dutch Slow Whoop	40V		> 77	> 69	> 64	> 63	> 61	> 62	> 75	> 68	> 64	> 62	> 66	> 71
	20V		> 77	> 69	> 64	> 63	> 61	> 62	> 75	> 68	> 64	> 62	> 66	> 71
7 Hz Fast Sweep	40V		> 71	> 63	> 59	> 59	> 59	> 65	> 70	> 63	> 59	> 59	> 61	> 66
	20V		> 71	> 63	> 59	> 59	> 59	> 65	> 70	> 63	> 59	> 59	> 61	> 66
BS 1 Hz Sweep	40V		> 71	> 64	> 60	> 60	> 61	> 66	> 71	> 62	> 62	> 58	> 57	> 55
	20V		> 71	> 64	> 60	> 60	> 61	> 66	> 71	> 62	> 62	> 58	> 57	> 55
2 Tone	40V		> 72	> 65	> 59	> 59	> 61	> 66	> 73	> 63	> 61	> 59	> 57	> 56
	20V		> 72	> 65	> 59	> 59	> 61	> 66	> 73	> 63	> 61	> 59	> 57	> 56
Temporal 4	40V		> 80	> 72	> 67	> 66	> 62	> 65	> 79	> 71	> 66	> 66	> 69	> 73
	20V		> 80	> 72	> 67	> 66	> 62	> 65	> 79	> 71	> 66	> 66	> 69	> 73
Temporal 3	40V		> 80	> 72	> 67	> 66	> 62	> 65	> 79	> 71	> 66	> 66	> 69	> 73
	20V		> 80	> 72	> 67	> 66	> 62	> 65	> 79	> 71	> 66	> 66	> 69	> 73
March Time beep	40V		> 79	> 72	> 69	> 67	> 62	> 65	> 79	> 72	> 65	> 65	> 70	> 73
	20V		> 79	> 72	> 69	> 67	> 62	> 65	> 79	> 72	> 65	> 65	> 70	> 73
Continuous 970 Hz	40V		> 72	> 62	> 60	> 60	> 59	> 61	> 72	> 61	> 59	> 59	> 59	> 61
	20V		> 72	> 62	> 60	> 60	> 59	> 61	> 72	> 61	> 59	> 59	> 59	> 61
DIN 1 Hz Sweep	40V		> 73	> 66	> 61	> 61	> 62	> 67	> 74	> 66	> 62	> 61	> 63	> 68
	20V		> 73	> 66	> 61	> 61	> 62	> 67	> 74	> 66	> 62	> 61	> 63	> 68
Banshee LF Buzzer	40V		> 71	> 63	> 59	> 59	> 60	> 65	> 72	> 63	> 61	> 59	> 57	> 57
	20V		> 71	> 63	> 59	> 59	> 60	> 65	> 72	> 63	> 61	> 59	> 57	> 57
3 Hz Banshee	40V		> 71	> 63	> 59	> 59	> 60	> 65	> 72	> 63	> 62	> 59	> 57	> 57
	20V		> 71	> 63	> 59	> 59	> 60	> 65	> 72	> 63	> 62	> 59	> 57	> 57
9 Hz Banshee	40V		> 70	> 63	> 59	> 58	> 59	> 65	> 72	> 62	> 61	> 59	> 57	> 56
	20V		> 70	> 63	> 59	> 58	> 59	> 65	> 72	> 62	> 61	> 59	> 57	> 56
Alternating	40V		> 76	> 68	> 64	> 64	> 65	> 70	> 76	> 69	> 64	> 63	> 66	> 70
	20V		> 76	> 68	> 64	> 64	> 65	> 70	> 76	> 69	> 64	> 63	> 66	> 70
Yodalarm	40V		> 70	> 63	> 60	> 60	> 61	> 63	> 72	> 65	> 60	> 61	> 61	> 66
	20V		> 70	> 63	> 60	> 60	> 61	> 63	> 72	> 65	> 60	> 61	> 61	> 66
Conventional Bell	40V		> 70	> 63	> 61	> 58	> 59	> 65	> 71	> 62	> 62	> 58	> 57	> 55
	40V		> 70	> 63	> 61	> 58	> 59	> 65	> 71	> 62	> 62	> 58	> 57	> 55

Table 8: Sounder performance Volume MID-LOW

Installation information

Dimensions	Cabling and wiring	Contact	Function
<p>Fig. 2: Base unit 1- Temporary park plunger and indicator (yellow) for short circuit isolator 2- Address flag holder</p> <p>Fig. 3: Wiring</p> <p>Wiring notes</p> <ul style="list-style-type: none"> All wiring must comply with local installation regulations and local fire system design requirements. Ensure all conductors are free of earths. Verify correct wiring and wiring polarity before connecting the devices to the addressable loop. 	L		Not used
	L1		Positive line in and out
	L2		Negative line (isolator in or out)
	M		Negative line (isolator in or out)
R		Remote LED out, wired only if a remote indicator is required	

Mounting and fixing instructions

This unit either fits directly to the ceiling or to an optional ceiling adaptor. The ceiling mounted variants provide a base for fitting a fire detector. Alternatively, a blanking cap is fitted. See Fig 4.

See Fig 5 for fitting the locking pin. To remove a detector from a base with a locking pin, complete these steps:

- 1 Insert a suitable tool into the access hole to depress the locking pin in the detector cover.
- 2 Rotate the detector to remove.

This unit can be used with the Ceiling Tile Adaptor (CTA) kit (517.050.060) by using the CTA Adaptor Plate, CTA-AP (517.050.058).
Use the knock outs for the cabling as required.

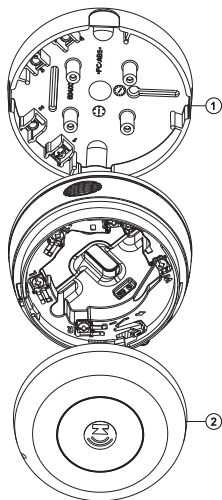


Fig. 4: Fitting the base units
1- A-CON
2- B-CAP

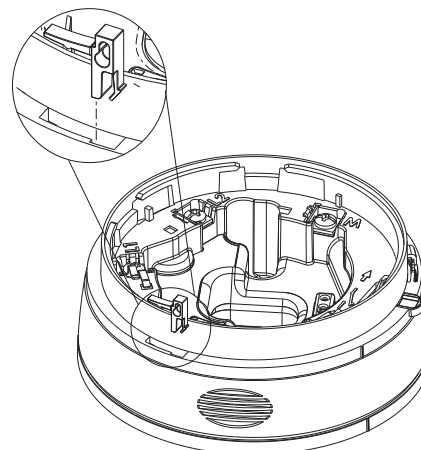


Fig. 5: Fitting the locking pin

Approvals


	 2831 0832 TYCO FIRE & SECURITY GMBH NEUHAUSEN AM RHEINFALL 8212 SWITZERLAND 21/2831 22/0832	CPR APPROVAL			EUROPEAN TYPE APPROVALS					INTERNATIONAL LISTINGS		
		EN54-3	EN54-23	EN54-17	LPCB	VDS	BOSEC	FNO	DBI	FPANZ	HKFSD	TFTF
FC442AVB	DOP-2020-4276 / 2831-CPR-F4572 / 0832-UKCA-CPR-F0103	•	•	•	•		•					

Table 9: Approvals

All required declarations and certificates are publicly available on the website www.fireclass.co.uk and are searchable by number or model name.

The above fire detection products are components designed for use in addressable systems exclusively available to registered partners only. They are intended for installation by trained registered personnel only. Systems should be installed and configured according to local regulations.

