

FireClass FC700 Series Panels – Quick Installation Instructions

Introduction

This guide describes how to mount the FC700 series of panels on the wall. After mounting the units, complete the installation, as described in the full FireClass Panels Installation guide.



DANGER

The FireClass FC700 series control panels can contain high voltages, producing a danger of death or serious injury.

Take necessary precautions and note all warnings in guides and product labelling.

Installation

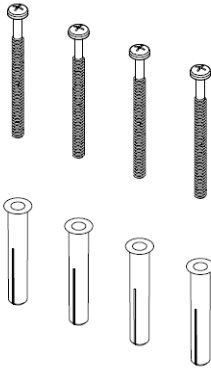


Fig. 1: Screws and wall plugs (the screws are approximately 63mm long)

Mounting a FC700 series panel to the wall

After checking that the mounting location is suitable, attach the mounting plate of the unit to the wall, then attach the panel to this plate.

- 1 Check the mounting location.
 - The alarm system units are not weather-proof. Check that the location is indoors and is dry and free from excessive dust.
 - Determine the mounting positions and use the dimensions in Fig. 3 for a FC702S panel and Fig. 4 for a FC702D, FC718D or FC708D panel.
- 2 Fix the mounting plate to the wall



Note

Ensure that the wall fixings are strong enough to support the weight of the mounting plate and panel. Note that the battery size has an impact on the housing weight.

- Hold the mounting plate up to the wall and mark on the wall a position for the upper mounting hole. Make sure that the plate is the right way up. See the arrow pointing upwards on the mounting plate. Refer to Fig. 2.
 - Drill a hole to accept the supplied wall plug and insert the plug. To identify the plugs and screws to use, refer to Fig. 1.
 - Fix the plate using the upper drill position.
 - Mark the drill positions on the wall for the two bottom holes.
 - Move the mounting plate out of the way and drill the bottom two holes.
 - Insert the wall plugs and fix the mounting plate to the wall with the screws.
 - Tighten all of the screws and check that the mounting plate is secure.
- 3 Remove knockouts from the unit housings where necessary, as required by the cabling runs.
 - For example, loop wiring needs access at the top of the panel.

- Make provision for mains cables, earth cables, DC power cables and battery cables.
 - Fit the knocked out holes with suitable cable glands. To maintain IP30 pass test status, use the M20 cable gland with a locknut.
- 4 Hang and fix the panel on the mounting plate.
- Loosely screw the top two bolts on the mounting plate already on the wall.
 - Hang the panel on the loose screws and screw the bottom two bolts. Refer to Fig. 6 or Fig. 8.
 - Tighten the four screws until the panel is fitted securely.
 - Remove any debris from the housing.

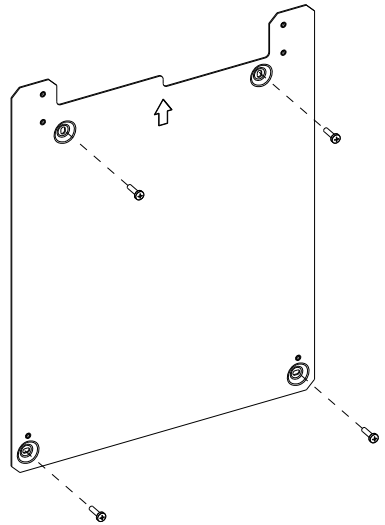


Fig. 2: Fixing the FC700 series panel mounting plate

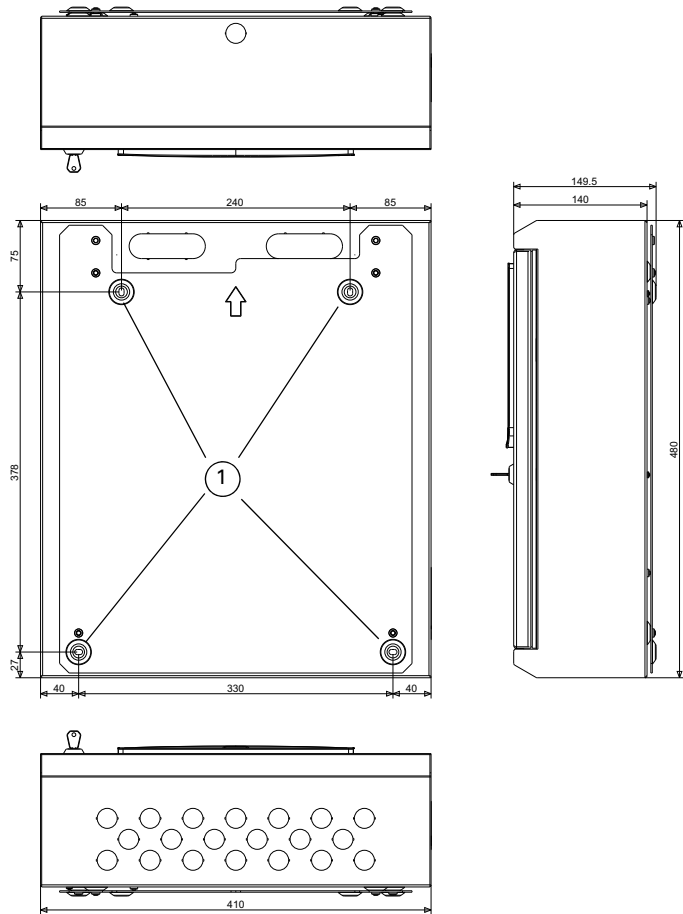


Fig. 3: FC702S - Mounting plate fixing and overall dimensions in mm
1- Mounting frame holes

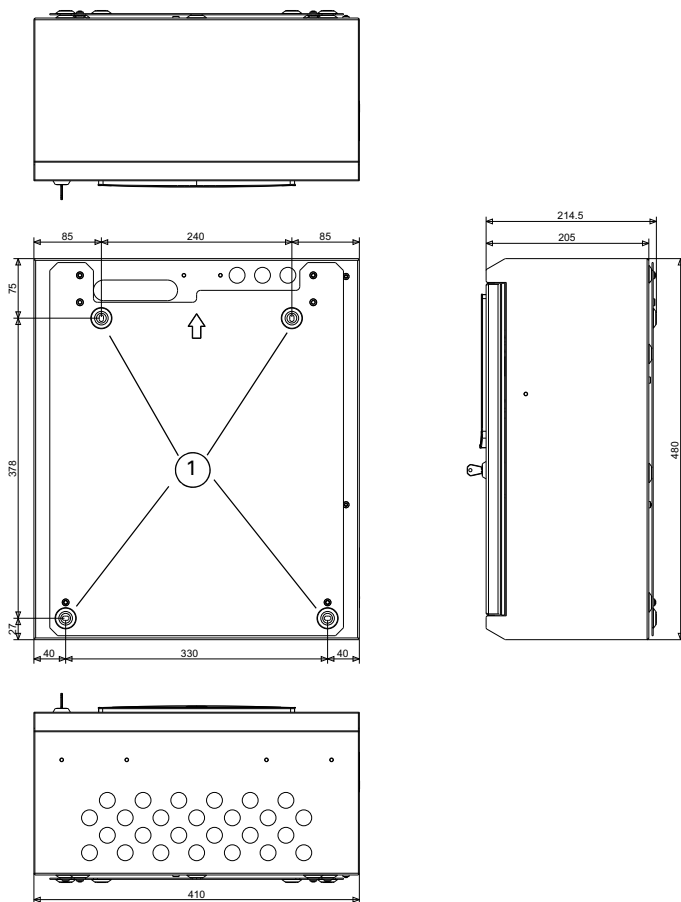


Fig. 4: FC702D, FC718D and FC708D panels - Mounting plate fixing and overall dimensions in mm
1 – Mounting frame holes

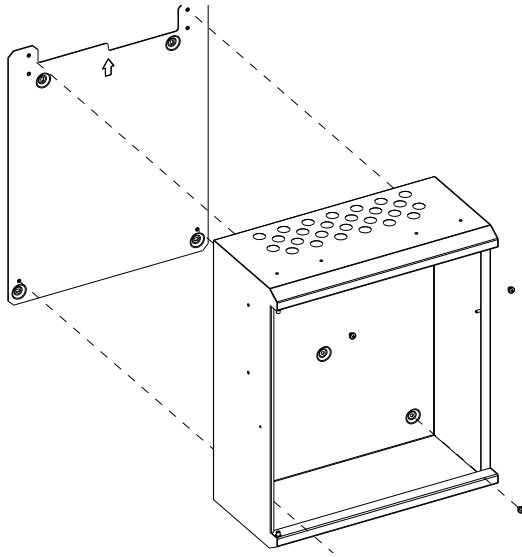


Fig. 5: Fitting the FC702D or FC718D/708D panel housing to the deep cover mounting plate - front view

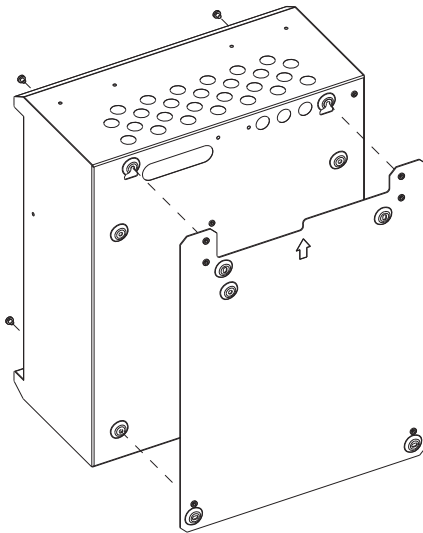


Fig. 6: Fitting the FC702D or FC718D/708D panel housing to the deep cover mounting plate - rear view

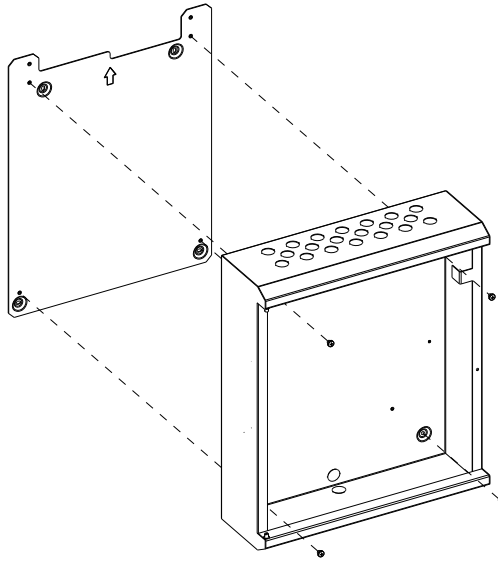


Fig. 7: Fitting the FC702S panel housing to the shallow cover mounting plate - front view

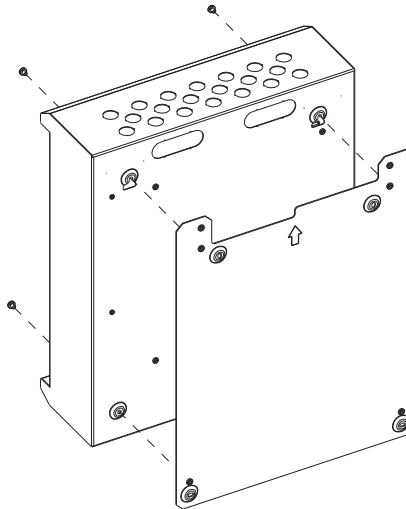


Fig. 8: Fitting the FC702S panel housing to the shallow cover mounting plate - rear view