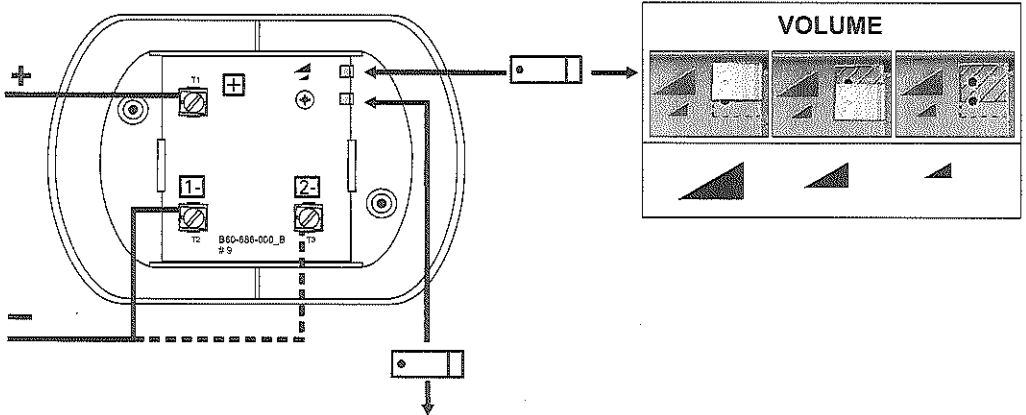
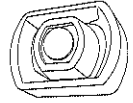


INSTALLATION INSTRUCTIONS FOR WALL MOUNT SOUNDERS TYPE EMA1224B4R/W



CONNECTION TERMINALS			LINK	TONE	
+	1-	2-	⊗		
✓	✓		✓	—	800Hz continuous
✓		✓	✓	⎓	800Hz/1000Hz alternating
✓	✓			—	500Hz/1200Hz slow whoop
✓		✓		⎓	800Hz DIN tone

Specification

Voltage Range	12VDC (10V to 14V) 24VDC (21V to 27V)
Output	max.103dB(A) @ 1mtr Sounder Output data, in accordance with EN54-3, is available on request, or via the website (details below). Document Ref. D531.
Current	12mA @ 24VDC (800Hz continuous, High Volume)
Max wire size	2.5mm ²
Temperature Range	-30 to +70°C
IP Rating	Meets the requirements of EN54-3, Type A IP21C, when fitted to an approved mounting box

D-686 issue 8