

# HSM2HOST 2-Way Wireless Transceiver

## V1.1 Installation Manual



**WARNING:** This manual contains information on limitations regarding product use and function and information on the limitations as to liability of the manufacturer. The entire manual should be carefully read.

# Table of Contents

---

<b>Specifications and Features</b> .....	<b>3</b>
<b>Compatible Wireless Devices</b> .....	<b>4</b>
<b>Safety Instructions</b> .....	<b>5</b>
<b>Introduction</b> .....	<b>6</b>
Installation Process Overview .....	6
Controls and Indicators .....	6
Tamper .....	7
<b>Setup and Wiring</b> .....	<b>8</b>
Mounting .....	8
Connect the HSM2HOST .....	8
Enroll The HSM2HOST .....	8
Delete the HSM2HOST .....	9
Permanently Mount .....	9
Other Options .....	9
<b>Wireless Device Setup and Programming</b> .....	<b>10</b>
[804][000] Enroll Wireless Devices .....	10
[804][001]-[716] Wireless Device Configuration .....	10
[804][801] RF Jam Detect .....	11
[804][802] Wireless Supervision Window .....	11
[804][810] Wireless Option 1 .....	11
[804][841] Motion Cameras .....	12
[804][901]-[905] Delete Wireless Devices .....	12
[804][921]-[925] Replace Wireless Devices .....	12
[804][990][001 – 005] Show All Devices .....	13
[804][999] Reset to Factory Defaults .....	13
[904] Placement Testing Wireless Devices .....	13
<b>Programming Worksheets</b> .....	<b>15</b>
Label Programming .....	15
[804] Wireless Programming .....	17
[804][000] Wireless Device Enrollment – Zones .....	18
[804][000] Wireless Device Enrollment – Wireless Keys .....	19
[804][000] Wireless Device Enrollment – Wireless Sirens .....	19
[804][000] Wireless Device Enrollment – Wireless Keypads .....	20
[804][000] Wireless Device Enrollment – Wireless Repeaters .....	20
[804][001]-[128] Configure Wireless Zones 1-128 (copy as needed) .....	21
[804][551]-[556] Configure Wireless Sirens 1-16 (copy as needed) .....	22
Toggle Options .....	22
Toggle Options .....	23
[804][601]-[632] Configure Wireless Keys (copy as needed) .....	23
[601]-[632] Wireless Key 1-32 .....	24
[804]-[701]-[716] Wireless Keypad Programming (copy as needed) .....	24
[804][801] Jam Detect .....	26
[804][802] Supervisory Window .....	26
[804][810] Wireless Options .....	26
<b>FCC Compliance Statement</b> .....	<b>30</b>

## Specifications and Features

- Current Draw: 60mA
- Voltage: Draws current from the PowerSeries Neo alarm controller (10.8VDC to 12.5VDC) - (Limited Power Supply)
- Frequency: 433MHz (HSM2HOST4), 868MHz (HSM2HOST8), 912-919MHz (HSM2HOST9<sup>UL</sup>)
- Zones - can receive signals from up to 128 wireless zones, plus 16 wireless keypads. Also supports up to 32 wireless keys or 32 panic pendants and 16 sirens
- Supervisory - programmable supervisory window
- Can be wired up to 1000 ft. / 230 m from the main panel with 22 AWG wire
- Connects to Corbus
- Compatibility: The HSM2HOST is used with PowerSeries Neo alarm panels
- Operating temperature: NA= 0°C – +49°C (32-122°F); EU= -10°C – +55°C
- Relative humidity: 93% non-condensing
- Separate, built-in wall and case tampers

**Note:** For Commercial BURG (UL) the Supervisory window shall be set to 4 hours.

For Residential Fire (UL/ULC) the Supervisory window shall be set to 200 seconds.

For Residential BURG (UL/ULC) the supervisory window shall be set to 24 hours.

For UL Home Healthcare applications the supervisory window shall be set to 24 hours

Only models operating in the band 912-919 MHz are UL/ULC listed where indicated. Only UL approved devices are to be used with UL/ULC listed systems.

## Compatible Wireless Devices

The HSM2HOSTx (x= 4/8/9) can receive signals from the devices listed in the following chart. Please refer to the instruction sheet of the device for operating instructions. Throughout this document, x in the model number represents the operating frequency of the device as follows: 9 (912-919 MHz), 8 (868MHz), 4 (433MHz).

<b>Alarm Controllers</b>	
PowerSeries Neo alarm controllers	HS2128/ HS2064/ HS2032/ HS2016
<b>Modules</b>	
Wireless Keypads	HS2LCDWFx HS2LCDWFPx HS2LCDWFPVx
<b>Wireless Devices</b>	
Wireless PG smoke detector	PGx926 <sup>UL</sup>
Wireless PG smoke and heat detector	PGx916 <sup>UL</sup>
Wireless PG CO detector	PGx913
Wireless PG PIR motion detector	PGx904(P) <sup>UL</sup>
Wireless PG PIR + camera motion detector	PGx934(P) <sup>UL</sup>
Wireless Outdoor PG PIR + camera motion detector	PGx944
Wireless PG curtain motion detector	PGx924 <sup>UL</sup>
Wireless PG dual tech motion detector	PGx984(P)
Wireless PG mirror motion detector	PGx974(P) <sup>UL</sup>
Wireless PG outdoor motion detector	PGx994 <sup>UL</sup>
Wireless PG glass break detector	PGx912
Wireless PG shock detector	PGx935 <sup>UL</sup>
Wireless PG flood detector	PGx985 <sup>UL</sup>
Wireless PG temperature detector (indoor use)	PGx905 <sup>UL</sup>
Wireless PG key	PGx939 <sup>UL</sup>
Wireless PG key	PGx929 <sup>UL</sup>
Wireless PG panic key	PGx938 <sup>UL</sup>
Wireless PG 2-button key	PGx949 <sup>UL</sup>
Wireless PG indoor siren	PGx901 <sup>UL</sup>
Wireless PG outdoor siren	PGx911 <sup>UL</sup>
Wireless PG repeater	PGx920 <sup>UL</sup>
Wireless PG door/window contact	PGx975 <sup>UL</sup>
Wireless PG door/window contact w/ AUX	PGx945 <sup>UL</sup>

## Safety Instructions

- This equipment must be installed by Service Persons only (a service person is defined as a person having the appropriate technical training and experience necessary to be aware of hazards to which that person may be exposed in performing a task and of measures to minimize the risks to that person or other persons). It must be installed and used within a non-hazardous, indoor environment only (pollution degree max 2, over voltages category II).
- The installer is responsible for instructing the system user in regards to electrical safety precautions when using a system which includes this equipment and also in regards to each of the following:
  - Do not attempt to service this product. There are no user serviceable parts inside. If servicing is required, it shall be referred to service persons only.
- Using adequate mounting means (e.g., plastic/metal anchors), secure the transceiver to the building structure before applying power.
- Internal wiring must be routed in a manner that prevents:
  - Excessive strain on wire and on terminal connections;
  - Loosening of terminal; connections;
  - Damage to conductor insulation.

Only UL/ULC listed devices can be used in UL/ULC listed installations.

HSM2HOST9 is listed for UL Commercial Burglary, Residential Fire, Residential Burglary and Home Health Care, ULC Residential Fire and Residential Burglary:

UL1610 Central-Station Burglar Alarm Units

UL1023 Household Burglar-Alarm System Units

UL985 Household Fire Warning System Units

UL1637 Home Health Care Signaling Equipment

ULC-S545-02 Residential Fire Warning System Control Units

ORD-C1023-1974 Household Burglar-Alarm System Units

UL 609 Local Burglar Alarm Units and Systems

UL365 Police Station Connected Burglar Alarm Units and Systems

## Introduction

The HSM2HOSTx two-way wireless transceiver adds wireless capability to PowerSeries Neo alarm controllers, model HS2128, HS2064, HS2032 or HS2016. The HSM2HOST receives signals from wireless zones and wireless keys, and provides information to the alarm controller it is connected to. This manual describes how to install, program and maintain the HSM2HOST. Note that only one HSM2HOST or one RFK keypad can be enrolled on the alarm system.

Before installing:

1. Plan the placement and wiring of the security system (see system installation manual).
2. Install the control panel and optional modules.
3. Temporarily mount all wireless devices in the intended location.

## Installation Process Overview

To install and set up the HSM2HOST and wireless devices:

1. Temporarily mount and wire the HSM2HOST module (See "Mounting" on page 8).
2. Enroll the HSM2HOST and first wireless keypad (See "Enroll The HSM2HOST" on page 8).
3. Check the location for RF interference levels (See "[804][801] RF Jam Detect" on page 11).
4. Enroll wireless devices (See "[804][000] Enroll Wireless Devices" on page 10).
5. Complete zone and other programming on the system (See "Wireless Device Setup and Programming" on page 10).
6. Test the placement of all the wireless devices (See "[904] Placement Testing Wireless Devices" on page 13).
7. Permanently mount the HSM2HOST and wireless devices (See "Permanently Mount" on page 9).

## Controls and Indicators

### Status LEDs

The LEDs on the front of the HSM2HOST provide feedback regarding the installation, operation and troubleshooting of the unit. The LEDs function as follows:

<b>Red LED</b>	<b>Operation</b>
Module Power Up:	On steady during module power-up sequence then off.
Firmware Update:	Slow flashing = update in progress Rapid flashing = update failed
Trouble Condition:	<ul style="list-style-type: none"> <li>• No trouble: 1 rapid flash every 10 seconds.</li> </ul> <p>If troubles are present, a series of flashes occur every 2 seconds. Each series of flashes indicate troubles as follows:</p> <ul style="list-style-type: none"> <li>• 1 flash: Module not enrolled</li> <li>• 2 flashes: Loss of contact with module for over 60 seconds</li> <li>• 3 flashes: Corbus low voltage</li> <li>• 8 flashes: RF interference (jam condition)</li> </ul>
Module Confirmation:	Flashes rapidly during module confirmation process.
Placement Test:	On steady when location is bad. Off when location is good.
<b>Green LED</b>	<b>Operation</b>
Placement Test:	On steady when location is suitable. Off when location is unsuitable. <b>Note:</b> For UL/ULC listed systems, signal must be "Strong". See Wireless Device Status Indications on page 10 for details.

## Tamper

The HSM2HOST has separate built-in wall and case tampers. The case tamper is disabled by default on the NA version (enabled on EU version).

Section [804][810] option 3 enables or disables the case tamper. Enable or disable the wall tamper by fastening the breakaway wall tamper bracket securely to the wall using one of the supplied screws.

The case tamper activates when the case is opened and restores when the case is closed. The wall tamper on the back of the unit is depressed by the mounting surface when properly installed. If the unit is removed, the tamper activates. Ensure the mounting surface is smooth and free of obstructions that block access to the rear of the unit. Electrical wires should not run over or under the module when it is mounted.

**Note:** The built in wall and case tamper must be installed and enabled for UL/ULC listed Commercial/Residential Burglary applications.

## Setup and Wiring

This section describes how to set up and wire the HSM2HOST module.

### Mounting

**Note:** Permanently mount the HSM2HOST receiver and wireless devices AFTER placement testing each device (See "[904] Placement Testing Wireless Devices" on page 13).

Find a place that is:

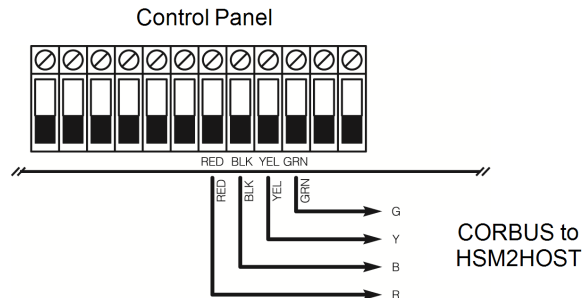
- dry,
- within operating temperature range,
- central to the proposed placement of all wireless devices,
- as high as possible. The range is reduced if mounted below ground level,
- far from sources of interference, including: electrical noise (computers, televisions, electric motors, appliances, heating and air conditioning units), large metal objects like heating ducts and plumbing which may shield the electro-magnetic waves,
- smooth and free of obstructions that block access to the rear of the unit.

### Connect the HSM2HOST

**Caution:** Remove all power (AC, DC, telephone lines) from the system while connecting modules to the Corbus.

To connect the HSM2HOST:

1. With the alarm panel powered down, connect the HSM2HOST to the four-wire Corbus of the alarm panel according to Figure 1.
2. Once the wiring is complete, power up the security system.



**Figure: 1** Wiring Diagram

### Enroll The HSM2HOST

The HSM2HOST must be enrolled onto the alarm panel before any wireless devices can be enrolled. When the alarm system is powered up for the first time, the first keypad or the HSM2HOST (if using a wireless keypad as the first keypad) can be enrolled.

To do this:

1. Once the HSM2HOST is wired to the alarm panel and power has been applied, power up a wireless keypad.
2. Press any button on the keypad to enroll it on the HSM2HOST. The HSM2HOST is then automatically enrolled on the alarm panel.

Alternately, enroll the HSM2HOST on the system at any time using the following procedure:

1. Enter Installer Programming section [902][000] (Auto Enroll All Modules). Modules are automatically detected in the following order:
  - 1– Keypads
  - 2 – Zone Expander



- 3 – Output Module
- 4 – HSM2HOSTx
- 5 – Audio Verification Module
- 6 – Power Supply 1A

2. When prompted, press [\*] to enroll.

Or another Alternate method,

- 1. Enter Installer Programming section [902][001] (Enroll Modules).
- 2. When prompted, key in the serial number found on the back of the module. The module is enrolled.

## Delete the HSM2HOST

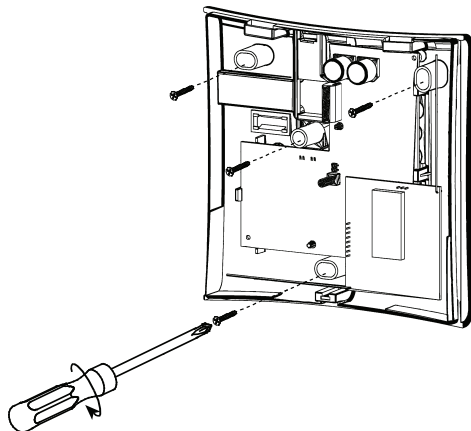
To remove the HSM2HOST from the system:

- 1. Enter Installer Programming section [902][106] (Delete HSM2HOSTx).
- 2. Press [\*] to delete.

## Permanently Mount

Once a suitable location is found, mount the HSM2HOST as follows:

- 1. Pull the Corbus wires through the holes at the back of the cabinet.
- 2. Mount the cabinet securely to the wall using the three screws supplied.
- 3. To enable the wall tamper, fasten the breakaway wall tamper bracket securely to the wall using the supplied screw.



**Figure: 2** Mounting the HSM2HOST

## Other Options

The following actions may be performed on the HSM2HOST:

Section	Action
[902][106]	Delete the HSM2HOST from the alarm system.
[903][106]	Confirm that the HSM2HOST is enrolled.
[000][806]	Add a label to appear on LCD keypads.
[900][461]	View HSM2HOST model information.

## Wireless Device Setup and Programming

This section describes how to enroll and program wireless devices such as contacts, motion sensors and sirens on the alarm panel.

### [804][000] Enroll Wireless Devices

Once the HSM2HOST is installed and enrolled on the alarm panel, wireless devices can be enrolled using the following method:

1. Enter Installer Programming section [804][000].
2. When prompted, either activate the device (see device installation sheet) to enroll immediately or enter a device ID number. Do the latter to pre-enroll devices then enroll them later at the customer site. The alarm panel determines the type of device being enrolled and presents the appropriate programming options.

#### Wireless Device Options

Device Type	Programming Options
Zone	(01) Zone type (02) Partition assignment (03) Zone label
Wireless Key	(01) Partition assignment (02) User label
Siren	(01) Partition assignment (02) Siren label
Repeater	(01) Repeater label

3. Use the scroll keys or type in the corresponding number to select an option.
  4. Scroll through the available selections, key in a number or enter text as appropriate.
  5. Press [\*] to accept and move to the next option.
  6. Once all options are configured, the system prompts to enroll the next device.
  7. Repeat the process described above until all wireless devices are enrolled.
- Note:** The configuration options listed above can be modified using [804][911] Modify Device.

### [804][001]-[716] Wireless Device Configuration

To configure wireless devices:

1. Enter Installer Programming section [804] then select one of the following sub-sections:
  - 001-128 – Configure Wireless Zones
  - 551-566 – Configure Wireless Sirens
  - 601-632 – Configure Wireless Keys
  - 701-716 – Configure Wireless Keypads
2. Select a device to configure using the scroll keys or go directly to a specific device by entering a hotkey.
3. Use the scroll buttons or enter a hotkey to select a configuration option for the device. See device sheets for details.
4. Press [\*] to accept and move to the next option.
5. Once all options are configured, the system returns to the base configuration menu.
6. Repeat the process described above to configure other wireless devices.

## [804][801] RF Jam Detect

RF jam detection (continuous interfering transmissions on the radio network) can be turned on or off. When on, RF jamming is logged and reported.

To configure RF jamming:

1. Enter Installer Programming section [804][801] then select one of the following options:

00	Disabled	Jamming detection and reporting is enabled/disabled Note: Must be Enabled for UL/ULC listed installations.
01	UL 20/20-USA	Continuous RF jamming for 20 seconds
02	EN 30/60-Europe	30 seconds of accumulated jamming within 60 seconds
03	Class 6 30/60-British	As EN (30/60) but reported only if the jamming duration exceeds 5 minutes

2. Press [\*] to accept the selection.
3. Press [#] to exit the section.

## [804][802] Wireless Supervision Window

This option is used to program the length of time a wireless device can be absent from the system before a fault is generated.

For EN installations, 1 hour or 2 hours must be selected.

When option 06 is used, which configures the system to generate fault conditions after a device has been detected as absent for 24 hours, smoke detectors generate a fault condition after a maximum of 18 hours when the 200s supervision toggle option is disabled.

To program the Wireless Supervisory Window:

1. Enter Installer Programming section [804][802].
2. Select one of the following options by scrolling or entering the hotkey:
  - 00 – Disabled
  - 01 – After 1 Hour
  - 02 – After 2 Hour
  - 03 – After 4 Hour
  - 04 – After 8 Hours
  - 05 – After 12 Hours
  - 06 – After 24 Hours
3. Press [\*] to accept the selection.
4. Press [#] to exit the section.

**Note:** For UL Residential Burglary (UL1023), Home Health Care (UL1637), ULC Residential Burglary (ULC/ORD-C1023) installations, the maximum Supervision window shall be set to 24 hours.

For UL Residential Fire (UL985) installations, the maximum supervision window is set to 200s.

For UL Commercial Burglary (UL1610/UL365) and ULC Residential Fire (ULC-S545), the maximum supervision window shall be set to 4 hours.

## [804][810] Wireless Option 1

To program wireless options:

1. Enter Installer Programming section [804][810].
2. Select one of the following options by scrolling or entering the hotkey:

01	RF Delinquency	On: the system cannot be armed if a wireless supervisory trouble exists. An RF delinquency trouble is generated. Off: wireless supervisory troubles do not prevent arming.
02	Wireless Supervisory/ RF Jam Alarm	On: if a supervisory or jamming trouble occurs during Away arming, the siren activates and the event is logged and reported. Off: supervisory or RF jam troubles during Away arming do not activate the siren or get logged and reported.
03	Wireless Tamper	On: module tampers are logged and reported. Off: module tampers are not logged or reported.
04	Fire Supervision	On: fire devices are supervised every 200 seconds. If the device fails to report within this window, a supervision trouble is generated. Off: fire devices follow the supervision window programmed in section 802, up to a maximum of 18 hours. The supervisory window can be programmed with a higher value, but detectors still go into fault after 18 hours.

3. Press [\*] to accept the selection and [#] to exit.

## [804][841] Motion Cameras

To program motion cameras:

1. Enter Installer Programming section [804][841].
2. Select one of the following options by scrolling or entering the hotkey:

[001]	Visual Verification	On: Alarms trigger image capture from PIR Cameras Off: Alarms do not trigger image capture from PIR Cameras
[002]	View Time Window	01 Alarm + 5 Minutes 02 Alarm + 15 minutes 03 Alarm + 1 Hour
[003]	View Other Alarms	01 Fire key enabled/disabled 02 Duress enabled/disabled 03 Medical key enabled/disabled 04 Panic key enabled/disabled

## [804][901]-[905] Delete Wireless Devices

To delete wireless devices:

1. Enter Installer Programming section [804] then select one of the following sub-sections:
  - [901] – Delete wireless zone devices
  - [902] – Delete wireless key
  - [903] – Delete sirens
  - [904] – Delete repeaters
  - [905] – Delete keypads
2. Select a device to delete using the scroll keys or go directly to a specific device by entering a hotkey.
3. Press [\*] to delete or [#] to exit.

## [804][921]-[925] Replace Wireless Devices

Use this option to replace a faulty device enrolled on the system with another device of the same type while maintaining the configuration of the original. The faulty device does not need to be deleted.

To replace a wireless device:

1. Enter Installer Programming section [804] then select one of the following sub-sections:
  - [921] – Replace wireless zone devices
  - [922] – Replace wireless key
  - [923] – Replace sirens
  - [924] – Replace repeaters
  - [925] – Replace keypads
2. Press [\*] to select a sub-section. The first available device is displayed.
3. Select a device to replace using the scroll keys or go to a specific device by entering a hotkey.
4. Press [\*]. When prompted, activate the device (full enrollment) or enter the device ID (pre-enrollment). A message is displayed confirming enrollment.

### **[804][990][001 – 005] Show All Devices**

Use this section to review wireless devices enrolled on the system and to view serial numbers associated with each device.

To review wireless device information:

1. Enter Installer Programming section [804][990] then select one of the following sub-sections:
  - [001] – All zones
  - [002] – Repeater
  - [003] – Sirens
  - [004] – Wireless keys
  - [005] – keypads
2. Press [\*] to select a wireless device type. The first available device is displayed.
3. Use the scroll keys to view the enrolled devices.

**Note:** This option is not fully supported by LED and ICON keypads.

### **[804][999] Reset to Factory Defaults**

Selecting this option resets HSM2HOST programming to factory default settings.

### **[904] Placement Testing Wireless Devices**

This test is used to determine RF signal status for wireless devices and can be performed at a system keypad or at the individual device. These instructions pertain to testing at the keypad. For instructions on placement testing at the device, refer to the installation sheet provided with the wireless equipment. The following test modes are available:

[904][001]-[128]	Test wireless zones	Test wireless devices individually by zone. Zones with vanishing contacts must be activated to placement test.
[904][521]-[528]	Test all repeaters	Test each enrolled wireless repeater. 521-528 for repeaters 1-8
[904][551]-[566]	Test all sirens	Test each enrolled wireless siren. 551-566 for sirens 1-16
[904][601]-[632]	Test all wireless keys	Test individual wireless keys. Once in this section, press a button on the wireless key to begin the test. 601-632 for wireless keys 1-32.
[904][701]-[716]	Test all keypads	Test each enrolled keypad. 701-716 for keypads 1-16

Two test results are provided:

- 24-hour: Average results of signal strength testing over a 24-hour period.
- Now: Signal status results of the current test.

A flashing Trouble LED indicates RF interference. The following status indicators may be displayed:

---

LCD	Icon*	LED+	Status
Strong	1	9	Strong signal strength
Good	2	10	Good signal strength
Poor	3	11	Poor signal strength
Not Test	5	13	Displayed as the Now result if no test was performed
Not Test	5	13	Always displayed as the 24-hour result when testing wireless keys

\*For Icon keypads, digit 1 indicates 24-hour test results; digit 2 indicates Now test results.

+For LED keypads, the first digit indicates 24-hour results; the second digit indicates Now test results.

**Note:** For EN/UL/ULC installations, only STRONG signal levels are acceptable.

## Programming Worksheets

Use these pages for recording custom programming options (Installers Programming: [\*][8]).

[902]	Enroll Module	000 - Auto Enroll
		001 - Enroll Modules
		002 - Module Slot Assignment (LED/ICON)
		003 - Module Slot Assignment (LED only)
	Delete Module	101 - Delete Keypads
		102 - Delete Zone Expander
		103 - Delete Output Expander
		106 - Delete HSM2HOST
		108 - Delete Audio Verification
		109 - Delete Power Supply
	[903]	Confirm Module
002 - Confirm Zone Expander		
003 - Confirm Output Expander		
006 - Confirm HSM2HOST		
008 - Confirm Audio Verification		
009 - Confirm Power Supply		

## Label Programming

### [000] Module Lables

[801]	Keypad Label (1 x 14 Characters)	
	001:	009:
	002:	010:
	003:	011:
	004:	012:
	005:	013:
	006:	014:
	007:	015:
	008:	016:

[802]	Zone Expander Label (1 x 14 Characters)	
	001:	009:
	002:	010:
	003:	011:
	004:	012:
	005:	013:
	006:	014:
	007:	015:
	008:	016:

[803]	Output Expander Label (1 x 14 Characters)	
	001:	009:
	002:	010:
	003:	011:
	004:	012:
	005:	013:
	006:	014:
	007:	015:
	008:	016:

[806]	HSM2HOST Label (1 x 14 Characters)	
	01:	

[809]	HSM2300 Power Supply Label (1 x 14 Characters)	
	01:	
	02:	
	03:	
	04:	

[810]	HSM2204 High-Current Output Label (1 x 14 Characters)	
	01:	
	02:	
	03:	
	04:	



[820]	Siren Labels (1 x 14 Characters)
	01:
	02:
	03:
	04:
	05:
	06:
	07:
	08:

[821]	Repeater Labels (1 x 14 Characters)
	01:
	02:
	03:
	04:
	05:
	06:
	07:
	08:

### [804] Wireless Programming

[000]	Enroll Wireless Device
	Zone
	Wireless Key
	Siren
	Keypad
	Repeater



**[804][000] Wireless Device Enrollment – Wireless Keys**

Key#	Partition#	User	Label	Key#	Partition#	User	Label
1				17			
2				18			
3				19			
4				20			
5				21			
6				22			
7				23			
8				24			
9				25			
10				26			
11				27			
12				28			
13				29			
14				30			
15				31			
16				32			

**[804][000] Wireless Device Enrollment – Wireless Sirens**

WLS Siren#	Partition#	Siren Label	WLS Siren#	Partition#	Siren Label
1			9		
2			10		
3			11		
4			12		
5			13		
6			14		
7			15		
8			16		

**[804][000] Wireless Device Enrollment – Wireless Keypads**

<b>WLS Keypad#</b>	<b>Keypad Assignment</b>	<b>Keypad Label</b>	<b>WLS Keypad#</b>	<b>Keypad Assignment</b>	<b>Keypad Label</b>
1			9		
2			10		
3			11		
4			12		
5			13		
6			14		
7			15		
8			16		

**[804][000] Wireless Device Enrollment – Wireless Repeaters**

<b>Repeater#</b>	<b>Repeater Label</b>
1	
2	
3	
4	
5	
6	
7	
8	

**[804][001]-[128] Configure Wireless Zones 1-128 (copy as needed)**

Zone#:			
Toggle Options			
	<b>[001] Device Options</b>		<b>[003] High Traffic Shutdown</b>
✓	01 – Alarm LED	✓	01 – Not Active
✓	02 – Reed Switch		02 – Yes - No Delay
	03 – External Input On		03 – Yes - 5s Delay
✓	04 – Supervision		04 – Yes - 15s Delay
	05 – Not Used		05 – Yes - 30s Delay
	06 – Not Used		06 – Yes - 1m Delay
	07 – Not Used		07 – Yes - 10m Delay
	08 – Not Used		08 – Yes - 20m Delay
	09 – Shock Accumulator		09 – Yes - 15s Delay
	10 – Not Used		10 – Yes - 60m Delay
✓	11 – 24hr/Night		<b>[004] Image Brightness</b>
	12 – Piezo Siren		01 – Image Bright -3
	13 – Not Used		02 – Image Bright -2
✓	14 – Fire Alarm		03 – Image Bright -1
	15 – Not Used	✓	04 – Image Bright 0
	16 – Not Used		05 – Image Bright +1
	<b>[002] Zone EOL</b>		06 – Image Bright +2
	00 – Disable		07 – Image Bright +3
✓	01 – Single EOL		
	02 – Normally Open		
	03 – Normally Closed		
	04 – Double EOL		

[804][551]-[556] Configure Wireless Sirens 1-16 (copy as needed)

	<b>[005] Image Contrast</b>		<b>[016] Event Counter</b>
	01 – Image Contrast -3		001-002 (Default: 002)
	02 – Image Contrast -2		<b>[011] Camera Toggles</b>
	03 – Image Contrast -1	✓	01 – Color
	04 – Image Contrast 0	✓	02 – High Res.
	05 – Image Contrast +1		03 – Low Quality
	06 – Image Contrast +2		04 – Microphone
	07 – Image Contrast +3		09 – AC Power
	<b>[006] Detection Range</b>		<b>[018] Shock Sensitivity</b>
	01 – Low Sensitivity		001-019 (Default: 008)
	02 – Mid Sensitivity		<b>[019] High Temp. Warning</b>
✓	03 – High Sensitivity		+/- 000-999 (Default:999c)
	<b>[007] Detection Sensitivity</b>		<b>[020] High Temp. Alarm</b>
	01 – Low Sensitivity		+/- 000-999 (Default:999c)
✓	02 – Mid Sensitivity		<b>[021] LowTemp. Warning</b>
	03 – High Sensitivity		+/- 000-999 (Default:999c)
	03 – UL Standard		<b>[019] Low Temp. Alarm</b>
			+/- 000-999 (Default:999c)

**[804][551]-[556] Configure Wireless Sirens 1-16 (copy as needed)**

Zone#			
<b>Toggle Options</b>			
	<b>[000] Partition Assignment</b>	1 2 3 4 5 6 7 8	
	<b>[001] Device Toggles</b>	<b>[002] Strobe Alarm</b>	<b>[004] Squawk</b>
✓	01 – Fire Alarm	01 – Disabled	01 – Disabled
✓	02 – Gas/CO Alarm	✓ 02 – Timer Limited	✓ 02 – Sounder Only
✓	03 – Burglary Alarm	03 – Until Disarmed	03 – Strobe Only
✓	04 – Flood Alarm	<b>[003] Exit Entry Beeps</b>	04 – Sounder/Strobe
	05 – Not Used	✓ 01 – Disabled	<b>[005] Sounder Volume</b>
	06 – Auto Temp Alarm	02 – Enabled	01 – Low
	07 – Activity LED	03 – Disabled Stay	✓ 02 – Medium
	08 – Not Used		03 – High
	09 – AC Power		

Zone#			
<b>Toggle Options</b>			
	<b>[000] Partition Assignment</b>		1 2 3 4 5 6 7 8
	<b>[001] Device Toggles</b>	<b>[002] Strobe Alarm</b>	<b>[004] Squawk</b>
✓	01 – Fire Alarm		01 – Disabled
✓	02 – Gas/CO Alarm	✓	02 – Timer Limited
✓	03 – Burglary Alarm		03 – Until Disarmed
✓	04 – Flood Alarm		<b>[003] Exit Entry Beeps</b>
	05 – Not Used	✓	01 – Disabled
	06 – Auto Temp Alarm		02 – Enabled
	07 – Activity LED		03 – Disabled Stay
	08 – Not Used		
	09 – AC Power		

**[804][601]-[632] Configure Wireless Keys (copy as needed)**

[000] Wireless Key Partition Assignment (Default: 01)

[001]-[005] Wireless Key Button Programming (Defaults: Key 1: 04, Key 2: 03, Key 3: 01, Key 4: 52, Key 5: 21)

[011] Wireless Key Device Toggles (Default: 01)

[020] Wireless Key User Assignment (Default: 00 – Not Assigned)

Available programming options:			
00- Disabled (Null)	06- Chime On/Off	16- Quick Exit	29- Bypass Group Recall
01- Disarm	07- System Test	17- Arm Interior	33- Bypass Recall
02- Instant Stay Arm	09- Night Arm	21- Comm. Output 1	51- [M] Key Alarm
03- Stay Arm	12- Global Stay Arm	22- Comm. Output 2	52- [P] Key Alarm
04- Away Arm	13- Global Away Arm	23- Comm. Output 3	
05- [*][9] No Entry	14- Global Disarm	24- Comm. Output 4	

**[601]-[632] Wireless Key 1-32**

Wireless Key#	Partition	Button	Supervision	Yes	No	User Number
	1 2 3 4 5 6 7 8	1: 2: 3: 4: 5			✓	
Wireless Key#	Partition	Button	Supervision	Yes	No	User Number
	1 2 3 4 5 6 7 8	1: 2: 3: 4: 5			✓	
Wireless Key#	Partition	Button	Supervision	Yes	No	User Number
	1 2 3 4 5 6 7 8	1: 2: 3: 4: 5			✓	
Wireless Key#	Partition	Button	Supervision	Yes	No	User Number
	1 2 3 4 5 6 7 8	1: 2: 3: 4: 5			✓	
Wireless Key#	Partition	Button	Supervision	Yes	No	User Number
	1 2 3 4 5 6 7 8	1: 2: 3: 4: 5			✓	

**[804]-[701]-[716] Wireless Keypad Programming (copy as needed)**

Keypad#					
[000]	Partition Assignment		00 – Global	03 – Partition 3	03 – Partition 3
		✓	01 – Partition 1	04 – Partition 4	04 – Partition 4
			02 – Partition 2	05 – Partition 5	05 – Partition 5

Function Key Programming Options:



00 - Null Key	13 - Global Away Arm	31 - Local PGM Active	61 - Partition Select 1
02 - Instant Stay Arm	14 - Global Disarming	32 - Bypass Mode	62 - Partition Select 2
03 - Stay Arm	16 - Quick Exit	33 - Bypass Recall	63 - Partition Select 3
04 - Away Arm	17 - Arm Interior	34 - User Programming	64 - Partition Select 4
05 - [*][9]No Entry Arm	21 - Command Output 1	35 - User Functions	65 - Partition Select 5
06 - Chime On/Off	22 - Command Output 2	36 - Reactivate	66 - Partition Select 6
07 - System Test	23 - Command Output 3	Stay/Away/Night zones	67 - Partition Select 7
09 - Night Arm	24 - Command Output 4	37 - Time/Date Programming	68 - Partition Select 8
11 - Away Arm no Entry	29 - Bypass Group Recall	39 - Trouble Display	
12 - Global Stay Arm	30 - Quick Bypass	40 - Alarm Memory	
Function Key:	[001] – Key 1: (Default: 03)	[003] – Key 3: (Default: 06)	[005] – Key 5: (Default: 16)
	[002] – Key 2: (Default: 04)	[004] – Key 4: (Default: 22)	
[011] Keypad I/O (Zone number or output number; 3-digit decimal; Default: 000)			
[012] Local PGM Output Timer:		Pulse Time (Default:00 minutes): Pulse Time (Default:05 minutes):	
[021] Keypad Option 1	✓	01 – [F] Key Enabled	
	✓	02 – [M] Key Enabled	
	✓	03 – [P] Key Enabled	
	✓	04 – Display Code or X's	
[022] Keypad Option 1	✓	01 – Local Clock Display	
		02 – Local Clock 24-Hour	
	✓	03 – Auto Alarm Scroll	
	✓	05 – Power LED	
	✓	06 – Power LED AC Present	
	✓	07 – Alarms Displayed if Armed	
	✓	08 – Auto Scroll Open Zones	
[023] Keypad Option 3		01 – Armed LED Power Save	
	✓	02 – Keypad Status Shows Arm Mode	
		03 – 5th Terminal is PGM Output/Zone Input	
		07 – Local Display of Temperature	
		08 – Low Temperature Warning	
[030] LCD Message:			
[031] Downloaded LCD Message Duration (3-digit decimal; 000-255; Default: 000):			
[041] Indoor Temperature Zone Entry (3-digit decimal; 000-128; Default: 000):			
[042] Outdoor Temperature Zone Entry (3-digit decimal; 000-128; Default: 000):			

[101]-[128] Door Chime Beeps:	00 – Disabled
	✓ 01 – 6 beeps
	02 – Bing Bong
	03 – Ding Dong
	04 – Alarm Tone
	05 – Zone Name

Door Chime Zone Assignment:									
1 ____	2 ____	3 ____	4 ____	5 ____	6 ____	7 ____	8 ____	9 ____	10 ____
11 ____	12 ____	13 ____	14 ____	15 ____	16 ____	17 ____	18 ____	19 ____	20 ____
21 ____	22 ____	23 ____	24 ____	25 ____	26 ____	27 ____	28 ____	29 ____	30 ____
31 ____	32 ____	33 ____	34 ____	35 ____	36 ____	37 ____	38 ____	39 ____	40 ____
41 ____	42 ____	43 ____	44 ____	45 ____	46 ____	47 ____	48 ____	49 ____	50 ____
51 ____	52 ____	53 ____	54 ____	55 ____	56 ____	57 ____	58 ____	59 ____	60 ____
61 ____	62 ____	63 ____	64 ____	65 ____	66 ____	67 ____	68 ____	69 ____	70 ____
71 ____	72 ____	73 ____	74 ____	75 ____	76 ____	77 ____	78 ____	79 ____	80 ____
81 ____	82 ____	83 ____	84 ____	85 ____	86 ____	87 ____	88 ____	89 ____	90 ____
91 ____	92 ____	93 ____	94 ____	95 ____	96 ____	97 ____	98 ____	99 ____	100 ____
101 ____	102 ____	103 ____	104 ____	105 ____	106 ____	107 ____	108 ____	109 ____	110 ____
–	–	–	–	–	–	–	–	–	–
111 ____	112 ____	113 ____	114 ____	115 ____	116 ____	117 ____	118 ____	119 ____	120 ____
–	–	–	–	–	–	–	–	–	–
121 ____	122 ____	123 ____	124 ____	125 ____	126 ____	127 ____	128 ____		
–	–	–	–	–	–	–	–		

[804][801] Jam Detect			[804][802] Supervisory Window			[804][810] Wireless Options		
UL	EN		UL	EN	Disabled	UL	EN	
		Disabled			After 1 Hour			1 – RF Delinquency Tamper
✓		UL – UL 20/20		✓	After 2 Hours		✓	2 – Missing/Jam Alarm
	✓	EN 30/60			After 4 Hours			3 – Wireless Tamper
		Class 6 (30/60)			After 8 Hours			4 – 200s Fire Supervision
					After 12 Hours			
			✓		After 24 Hours			

**[804][841] Motion Cameras**

001 Visual Verification		01 – Disabled
	✓	02 – Enabled
002 View Time Window	✓	01 – Alarm + 5 Minutes
		02 – Alarm + 15 Minutes
		03 – Alarm + 1 Hour
003 View Other Alarms	✓	01 – Fire Alarm
	✓	02 – Duress Alarm
	✓	03 – Medical Alarm
		04 – Medical Alarm

**[804][901]-[905] Delete Wireless Devices**

[901]	Delete Zones
[902]	Delete Wireless Keys
[903]	Delete Sirens
[904]	Delete Repeaters
[905]	Delete Keypads

**[804][921]-[925] Replace Wireless Devices**

[921]	Replace Zones
[922]	Replace Wireless Keys
[923]	Replace Sirens
[924]	Replace Repeaters
[925]	Replace Keypads

**[804][990] Show All Devices**

[001]	Show All Zones
[002]	Show All Repeaters
[003]	Sirens
[004]	Wireless Keys
[005]	Keypads

## LIMITED WARRANTY

Digital Security Controls warrants the original purchaser that for a period of twelve months from the date of purchase, the product shall be free of defects in materials and workmanship under normal use. During the warranty period, Digital Security Controls shall, at its option, repair or replace any defective product upon return of the product to its factory, at no charge for labour and materials. Any replacement and/or repaired parts are warranted for the remainder of the original warranty or ninety (90) days, whichever is longer. The original purchaser must promptly notify Digital Security Controls in writing that there is defect in material or workmanship, such written notice to be received in all events prior to expiration of the warranty period. There is absolutely no warranty on software and all software products are sold as a user license under the terms of the software license agreement included with the product. The Customer assumes all responsibility for the proper selection, installation, operation and maintenance of any products purchased from DSC. Custom products are only warranted to the extent that they do not function upon delivery. In such cases, DSC can replace or credit at its option.

### International Warranty

The warranty for international customers is the same as for any customer within Canada and the United States, with the exception that Digital Security Controls shall not be responsible for any customs fees, taxes, or VAT that may be due.

### Warranty Procedure

To obtain service under this warranty, please return the item(s) in question to the point of purchase. All authorized distributors and dealers have a warranty program. Anyone returning goods to Digital Security Controls must first obtain an authorization number. Digital Security Controls will not accept any shipment whatsoever for which prior authorization has not been obtained.

### Conditions to Void Warranty

This warranty applies only to defects in parts and workmanship relating to normal use. It does not cover:

- damage incurred in shipping or handling
- damage caused by disaster such as fire, flood, wind, earthquake or lightning;
- damage due to causes beyond the control of Digital Security Controls such as excessive voltage, mechanical shock, water damage;
- damage caused by unauthorized attachment, alterations, modifications or foreign objects;
- damage caused by peripherals (unless such peripherals were supplied by Digital Security Controls Ltd.);
- defects caused by failure to provide a suitable installation environment for the products;
- damage caused by use of the products for purposes other than those for which it was designed;
- damage from improper maintenance;
- damage arising out of any other abuse, mishandling or improper application of the products.

### Items Not Covered by Warranty

In addition to the items which void the Warranty, the following items shall not be covered by Warranty: (i) freight cost to the repair centre; (ii) products which are not identified with DSC's product label and lot number or serial number; (iii) products disassembled or repaired in such a manner as to adversely affect performance or prevent adequate inspection or testing to verify any warranty claim. Access cards or tags returned for replacement under warranty will be credited or replaced at DSC's option. Products not covered by this warranty, or otherwise out of warranty due to age, misuse, or damage shall be evaluated, and a repair estimate shall be provided. No repair work will be performed until a valid purchase order is received from the Customer and a Return Merchandise Authorization number (RMA) is issued by DSC's Customer Service. Digital Security Controls Ltd.'s liability for failure to repair the product under this warranty after a reasonable number of attempts will be limited to a replacement of the product, as the exclusive remedy for breach of warranty. Under no circumstances shall Digital Security Controls be liable for any special, incidental, or consequential damages based upon breach of warranty, breach of contract, negligence, strict liability, or any other legal theory. Such damages include, but are not limited to, loss of profits, loss of the product or any associated equipment, cost of capital, cost of substitute or replacement equipment, facilities or services, down time, purchaser's time, the claims of third parties, including customers, and injury to property. The laws of some jurisdictions limit or do not allow the disclaimer of consequential damages. If the laws of such a jurisdiction apply to any claim by or against DSC, the limitations and disclaimers contained here shall be to the greatest extent permitted by law. Some states do not allow the exclusion or limitation of incidental or consequential damages, so that the above may not apply to you.

### Disclaimer of Warranties

This warranty contains the entire warranty and shall be in lieu of any and all other warranties, whether expressed or implied (including all implied warranties of merchantability or fitness for a particular purpose) and of all other obligations or liabilities on the part of Digital Security Controls. Digital Security Controls neither assumes responsibility for, nor authorizes any other person purporting to act on its behalf to modify or to change this warranty, nor to assume for it any other warranty or liability concerning this product. This disclaimer of warranties and limited warranty are governed by the laws of the province of Ontario, Canada. WARNING: Digital Security Controls recommends that the entire system be completely tested on a regular basis. However, despite frequent testing, and due to, but not limited to, criminal tampering or electrical disruption, it is possible for this product to fail to perform as expected.

### Out of Warranty Repairs

Digital Security Controls will at its option repair or replace out-of-warranty products which are returned to its factory according to the following conditions. Anyone returning goods to Digital Security Controls must first obtain an authorization number. Digital Security Controls will not accept any shipment whatsoever for which prior authorization has not been obtained.

Products which Digital Security Controls determines to be repairable will be repaired and returned. A set fee which Digital Security Controls has predetermined and which may be revised from time to time, will be charged for each unit repaired.

Products which Digital Security Controls determines not to be repairable will be replaced by the nearest equivalent product available at that time. The current market price of the replacement product will be charged for each replacement unit.

## WARNING – READ CAREFULLY

### Note to Installers

This warning contains vital information. As the only individual in contact with system users, it is your responsibility to bring each item in this warning to the attention of the users of this system.

### System Failures

This system has been carefully designed to be as effective as possible. There are circumstances, however, involving fire, burglary, or other types of emergencies where it may not provide protection. Any alarm system of any type may be compromised deliberately or may fail to operate as expected for a variety of reasons. Some but not all of these reasons may be:

#### Inadequate Installation

A security system must be installed properly in order to provide adequate protection. Every installation should be evaluated by a security professional to ensure that all access points and areas are covered. Locks and latches on windows and doors must be secure and operate as intended. Windows, doors, walls, ceilings and other building materials must be of sufficient strength and construction to provide the level of protection expected. A reevaluation must be done during and after any construction activity. An evaluation by the fire and/or police department is highly recommended if this service is available.

### Criminal Knowledge

This system contains security features which were known to be effective at the time of manufacture. It is possible for persons with criminal intent to develop techniques which reduce the effectiveness of these features. It

is important that a security system be reviewed periodically to ensure that its features remain effective and that it be updated or replaced if it is found that it does not provide the protection expected.

#### Access by Intruders

Intruders may enter through an unprotected access point, circumvent a sensing device, evade detection by moving through an area of insufficient coverage, disconnect a warning device, or interfere with or prevent the proper operation of the system.

### Power Failure

Control units, intrusion detectors, smoke detectors and many other security devices require an adequate power supply for proper operation. If a device operates from batteries, it is possible for the batteries to fail. Even if the batteries have not failed, they must be charged, in good condition and installed correctly. If a device operates only by AC power, any interruption, however brief, will render that device inoperative while it does not have power. Power interruptions of any length are often accompanied by voltage fluctuations which may damage electronic equipment such as a security system. After a power interruption has occurred, immediately conduct a complete system test to ensure that the system operates as intended.

### Failure of Replaceable Batteries

This system's wireless transmitters have been designed to provide several years of battery life under normal conditions. The expected battery life is a function of the device environment, usage and type. Ambient conditions such as high humidity, high or low temperatures, or large temperature fluctuations may reduce the expected battery life. While each transmitting device has a low battery monitor which identifies when the batteries need to be replaced, this monitor may fail to operate as expected. Regular testing and maintenance will keep the system in good operating condition.

### Compromise of Radio Frequency (Wireless) Devices

Signals may not reach the receiver under all circumstances which could include metal objects placed on or near the radio path or deliberate jamming or other inadvertent radio signal interference.

### System Users

A user may not be able to operate a panic or emergency switch possibly due to permanent or temporary physical disability, inability to reach the device in time, or unfamiliarity with the correct operation. It is important that all system users be trained in the correct operation of the alarm system and that they know how to respond when the system indicates an alarm.

### Smoke Detectors

Smoke detectors that are a part of this system may not properly alert occupants of a fire for a number of reasons, some of which follow. The smoke detectors may have been improperly installed or positioned. Smoke may not be able to reach the smoke detectors, such as when the fire is in a chimney, walls or roofs, or on the other side of closed doors. Smoke detectors may not detect smoke from fires on another level of the residence or building.

Every fire is different in the amount of smoke produced and the rate of burning. Smoke detectors cannot sense all types of fires equally well. Smoke detectors may not provide timely warning of fires caused by carelessness or safety hazards such as smoking in bed, violent explosions, escaping gas, improper storage of flammable materials, overloaded electrical circuits, children playing with matches or arson.

Even if the smoke detector operates as intended, there may be circumstances when there is insufficient warning to allow all occupants to escape in time to avoid injury or death.

### Motion Detectors

Motion detectors can only detect motion within the designated areas as shown in their respective installation instructions. They cannot discriminate between intruders and intended occupants. Motion detectors do not provide volumetric area protection. They have multiple beams of detection and motion can only be detected in unobstructed areas covered by these beams. They cannot detect motion which occurs behind walls, ceilings, floor, closed doors, glass partitions, glass doors or windows. Any type of tampering whether intentional or unintentional such as masking, painting, or spraying of any material on the lenses, mirrors, windows or any other part of the detection system will impair its proper operation.

Passive infrared motion detectors operate by sensing changes in temperature. However their effectiveness can be reduced when the ambient temperature rises near or above body temperature or if there are intentional or unintentional sources of heat in or near the detection area. Some of these heat sources could be heaters, radiators, stoves, barbecues, fireplaces, sunlight, steam vents, lighting and so on.

### Warning Devices

Warning devices such as sirens, bells, horns, or strobes may not warn people or waken someone sleeping if there is an intervening wall or door. If warning devices are located on a different level of the residence or premise, then it is less likely that the occupants will be alerted or awakened. Audible warning devices may be interfered with by other noise sources such as stereos, radios, televisions, air conditioners or other appliances, or passing traffic. Audible warning devices, however loud, may not be heard by a hearing-impaired person.

### Telephone Lines

If telephone lines are used to transmit alarms, they may be out of service or busy for certain periods of time. Also an intruder may cut the telephone line or defeat its operation by more sophisticated means which may be difficult to detect.

### Insufficient Time

There may be circumstances when the system will operate as intended, yet the occupants will not be protected from the emergency due to their inability to respond to the warnings in a timely manner. If the system is monitored, the response may not occur in time to protect the occupants or their belongings.

### Component Failure

Although every effort has been made to make this system as reliable as possible, the system may fail to function as intended due to the failure of a component.

### Inadequate Testing

Most problems that would prevent an alarm system from operating as intended can be found by regular testing and maintenance. The complete system should be tested weekly and immediately after a break-in, an attempted break-in, a fire, a storm, an earthquake, an accident, or any kind of construction activity inside or outside the premises. The testing should include all sensing devices, keypads, consoles, alarm indicating devices and any other operational devices that are part of the system.

### Security and Insurance

Regardless of its capabilities, an alarm system is not a substitute for property or life insurance. An alarm system also is not a substitute for property owners, renters, or other occupants to act prudently to prevent or minimize the harmful effects of an emergency situation.

### IMPORTANT - READ CAREFULLY: DSC Software purchased with or without Products and Components is copyrighted and is purchased under the following license terms:

- This End-User License Agreement ("EULA") is a legal agreement between You (the company, individual or entity who acquired the Software and any related Hardware) and Digital Security Controls, a division of Tyco Safety Products Canada Ltd. ("DSC"), the manufacturer of the integrated security systems and the developer of the software and any related products or components ("HARDWARE") which You acquired.
- If the DSC software product ("SOFTWARE PRODUCT" or "SOFTWARE") is intended to be accompanied by HARDWARE, and is NOT accompanied by new HARDWARE, You may not use, copy or install the SOFTWARE PRODUCT. The SOFTWARE PRODUCT includes computer software, and may include associated media, printed materials, and "online" or electronic documentation.
- Any software provided along with the SOFTWARE PRODUCT that is associated with a separate end-user license agreement is licensed to You under the terms of that license agreement.
- By installing, copying, downloading, storing, accessing or otherwise using the SOFTWARE PRODUCT, You agree unconditionally to be bound by the terms of this EULA, even if this EULA is deemed to be a modification

of any previous arrangement or contract. If You do not agree to the terms of this EULA, DSC is unwilling to license the SOFTWARE PRODUCT to You, and You have no right to use it.

#### SOFTWARE PRODUCT LICENSE

The SOFTWARE PRODUCT is protected by copyright laws and international copyright treaties, as well as other intellectual property laws and treaties. The SOFTWARE PRODUCT is licensed, not sold.

#### 1. GRANT OF LICENSE This EULA grants You the following rights:

(a) Software Installation and Use - For each license You acquire, You may have only one copy of the SOFTWARE PRODUCT installed.

(b) Storage/Network Use - The SOFTWARE PRODUCT may not be installed, accessed, displayed, run, shared or used concurrently on or from different computers, including a workstation, terminal or other digital electronic device ("Device"). In other words, if You have several workstations, You will have to acquire a license for each workstation where the SOFTWARE will be used.

(c) Backup Copy - You may make back-up copies of the SOFTWARE PRODUCT, but You may only have one copy per license installed at any given time. You may use the back-up copy solely for archival purposes. Except as expressly provided in this EULA, You may not otherwise make copies of the SOFTWARE PRODUCT, including the printed materials accompanying the SOFTWARE.

#### 2. DESCRIPTION OF OTHER RIGHTS AND LIMITATIONS

(a) Limitations on Reverse Engineering, Decompilation and Disassembly - You may not reverse engineer, decompile, or disassemble the SOFTWARE PRODUCT, except and only to the extent that such activity is expressly permitted by applicable law notwithstanding this limitation. You may not make any changes or modifications to the Software, without the written permission of an officer of DSC. You may not remove any proprietary notices, marks or labels from the Software Product. You shall institute reasonable measures to ensure compliance with the terms and conditions of this EULA.

(b) Separation of Components - The SOFTWARE PRODUCT is licensed as a single product. Its component parts may not be separated for use on more than one HARDWARE unit.

(c) Single INTEGRATED PRODUCT - If You acquired this SOFTWARE with HARDWARE, then the SOFTWARE PRODUCT is licensed with the HARDWARE as a single integrated product. In this case, the SOFTWARE PRODUCT may only be used with the HARDWARE as set forth in this EULA.

(d) Rental - You may not rent, lease or lend the SOFTWARE PRODUCT. You may not make it available to others or post it on a server or web site.

(e) Software Product Transfer - You may transfer all of Your rights under this EULA only as part of a permanent sale or transfer of the HARDWARE, provided You retain no copies, You transfer all of the SOFTWARE PRODUCT (including all component parts, the media and printed materials, any upgrades and this EULA), and provided the recipient agrees to the terms of this EULA. If the SOFTWARE PRODUCT is an upgrade, any transfer must also include all prior versions of the SOFTWARE PRODUCT.

(f) Termination - Without prejudice to any other rights, DSC may terminate this EULA if You fail to comply with the terms and conditions of this EULA. In such event, You must destroy all copies of the SOFTWARE PRODUCT and all of its component parts.

(g) Trademarks - This EULA does not grant You any rights in connection with any trademarks or service marks of DSC or its suppliers.

3. COPYRIGHT - All title and intellectual property rights in and to the SOFTWARE PRODUCT (including but not limited to any images, photographs, and text incorporated into the SOFTWARE PRODUCT), the accompanying printed materials, and any copies of the SOFTWARE PRODUCT, are owned by DSC or its suppliers. You may not copy the printed materials accompanying the SOFTWARE PRODUCT. All title and intellectual property rights in and to the content which may be accessed through use of the SOFTWARE PRODUCT are the property of the respective content owner and may be protected by applicable copyright or other intellectual property laws and treaties. This EULA grants You no rights to use such content. All rights not expressly granted under this EULA are reserved by DSC and its suppliers.

4. EXPORT RESTRICTIONS - You agree that You will not export or re-export the SOFTWARE PRODUCT to any country, person, or entity subject to Canadian export restrictions.

5. CHOICE OF LAW - This Software License Agreement is governed by the laws of the Province of Ontario, Canada.

6. ARBITRATION - All disputes arising in connection with this Agreement shall be determined by final and binding arbitration in accordance with the Arbitration Act, and the parties agree to be bound by the arbitrator's decision. The place of arbitration shall be Toronto, Canada, and the language of the arbitration shall be English.

#### 7. LIMITED WARRANTY

(a) NO WARRANTY - DSC PROVIDES THE SOFTWARE "AS IS" WITHOUT WARRANTY. DSC DOES NOT WARRANT THAT THE SOFTWARE WILL MEET YOUR REQUIREMENTS OR THAT OPERATION OF THE SOFTWARE WILL BE UNINTERRUPTED OR ERROR-FREE.

(b) CHANGES IN OPERATING ENVIRONMENT - DSC shall not be responsible for problems caused by changes in the operating characteristics of the HARDWARE, or for problems in the interaction of the SOFTWARE PRODUCT with non-DSC-SOFTWARE or HARDWARE PRODUCTS.

(c) LIMITATION OF LIABILITY; WARRANTY REFLECTS ALLOCATION OF RISK - IN ANY EVENT, IF ANY STATUTE IMPLIES WARRANTIES OR CONDITIONS NOT STATED IN THIS LICENSE AGREEMENT, DSC'S ENTIRE LIABILITY UNDER ANY PROVISION OF THIS LICENSE AGREEMENT SHALL BE LIMITED TO THE GREATER OF THE AMOUNT ACTUALLY PAID BY YOU TO LICENSE THE SOFTWARE PRODUCT AND FIVE CANADIAN DOLLARS (CAD\$5.00). BECAUSE SOME JURISDICTIONS DO NOT ALLOW THE EXCLUSION OR LIMITATION OF LIABILITY FOR CONSEQUENTIAL OR INCIDENTAL DAMAGES, THE ABOVE LIMITATION MAY NOT APPLY TO YOU.

(d) DISCLAIMER OF WARRANTIES - THIS WARRANTY CONTAINS THE ENTIRE WARRANTY AND SHALL BE IN LIEU OF ANY AND ALL OTHER WARRANTIES, WHETHER EXPRESSED OR IMPLIED (INCLUDING ALL IMPLIED WARRANTIES OF MERCHANTABILITY OR FITNESS FOR A PARTICULAR PURPOSE) AND OF ALL OTHER OBLIGATIONS OR LIABILITIES ON THE PART OF DSC. DSC MAKES NO OTHER WARRANTIES. DSC NEITHER ASSUMES NOR AUTHORIZES ANY OTHER PERSON PURPORTING TO ACT ON ITS BEHALF TO MODIFY OR TO CHANGE THIS WARRANTY, NOR TO ASSUME FOR IT ANY OTHER WARRANTY OR LIABILITY CONCERNING THIS SOFTWARE PRODUCT.

(e) EXCLUSIVE REMEDY AND LIMITATION OF WARRANTY - UNDER NO CIRCUMSTANCES SHALL DSC BE LIABLE FOR ANY SPECIAL, INCIDENTAL, CONSEQUENTIAL OR INDIRECT DAMAGES BASED UPON BREACH OF WARRANTY, BREACH OF CONTRACT, NEGLIGENCE, STRICT LIABILITY, OR ANY OTHER LEGAL THEORY. SUCH DAMAGES INCLUDE, BUT ARE NOT LIMITED TO, LOSS OF PROFITS, LOSS OF THE SOFTWARE PRODUCT OR ANY ASSOCIATED EQUIPMENT, COST OF CAPITAL, COST OF SUBSTITUTE OR REPLACEMENT EQUIPMENT, FACILITIES OR SERVICES, DOWN TIME, PURCHASERS TIME, THE CLAIMS OF THIRD PARTIES, INCLUDING CUSTOMERS, AND INJURY TO PROPERTY.

WARNING: DSC recommends that the entire system be completely tested on a regular basis. However, despite frequent testing, and due to, but not limited to, criminal tampering or electrical disruption, it is possible for this SOFTWARE PRODUCT to fail to perform as expected.

# FCC Compliance Statement

This equipment generates and uses radio frequency energy and if not installed and used properly, in strict accordance with the manufacturer's instructions, may cause interference to radio and television reception. It has been type tested and found to comply with the limits for Class B device in accordance with the specifications in Subpart "B" of Part 15 of FCC Rules, which are designed to provide reasonable protection against such interference in any residential installation. However, there is no guarantee that interference will not occur in a particular installation. If this equipment does cause interference to television or radio reception, which can be determined by turning the equipment off and on, the user is encouraged to try to correct the interference by one or more of the following measures:

- Re-orient the receiving antenna
- Relocate the alarm control with respect to the receiver
- Move the alarm control away from the receiver
- Connect the alarm control into a different outlet so the alarm control & receiver are on different circuits.

If necessary, the user should consult the dealer or an experienced radio/television technician for additional suggestions. The user may find the following booklet prepared by the FCC helpful: "How to Identify and Resolve Radio/Television Interference Problems". This booklet is available from the U.S. Government Printing Office, Washington, D.C. 20402, Stock # 004-000-00345-4.

## IC Statement

This device complies with Industry Canada license-exempt RSS standard(s). Operation is subject to the following two conditions: (1) this device may not cause interference, and (2) this device must accept any interference, including interference that may cause undesired operation of the device.

Hereby, DSC, declares that this device is in compliance with the essential requirements and other relevant provisions of Directive 1999/5/EC. The complete R&TTE Declaration of Conformity can be found at [http://www.dsc.com/listings\\_index.aspx](http://www.dsc.com/listings_index.aspx)

(CZE) DSC jako výrobce prohlašuje, že tento výrobek je v souladu se všemi relevantními požadavky směrnice 1999/5/EC.

(DAN) DSC erklærer herved at denne komponent overholder alle vigtige krav samt andre bestemmelser gitt i direktiv 1999/5/EC.

(DUT) Hierbij verklaart DSC dat dit toestel in overeenstemming is met de eisen en bepalingen van richtlijn 1999/5/EC.

(FIN) DSC vakuuttaa laitteen täyttävän direktiivin 1999/5/EC olennaiset vaatimukset. (FRE) Par la présente, DSC déclare que ce dispositif est conforme aux exigences essentielles et autres stipulations pertinentes de la Directive 1999/5/EC.

(GER) Hierdurch erklärt DSC, daß dieses Gerät den erforderlichen Bedingungen und Voraussetzungen der Richtlinie 1999/5/EC entspricht.

(GRE) Δια του παρόντος, η DSC, δηλώνει ότι αυτή η συσκευή είναι σύμφωνη με τις ουσιαστικές απαιτήσεις και με όλες τις άλλες σχετικές αναφορές της Οδηγίας 1999/5/EC.

(ITA) Con la presente la Digital Security Controls dichiara che questo prodotto è conforme ai requisiti essenziali ed altre disposizioni rilevanti relative alla Direttiva 1999/05/CE.

(NOR) DSC erklærer at denne enheten er i samsvar med de grunnleggende krav og øvrige relevante krav i direktiv 1999/5/EF.

(POL) DSC oświadcza, że urządzenie jest w zgodności z zasadniczymi wymaganiami oraz pozostałymi stosownymi postanowieniami Dyrektywy 1999/5/WE.

(POR) Por este meio, a DSC, declara que este equipamento está em conformidade com os requisitos essenciais e outras determinações relevantes da Directiva 1999/05/CE.

(SPA) Por la presente, DSC, declara que este equipo está en conformidad con los requisitos esenciales y otros requisitos relevantes de la Directiva 1999/5/EC.

(SWE) DSC bekräftar härmed att denna apparat uppfyller de väsentliga kraven och andra relevanta bestämmelser i Direktivet 1999/5/EC.

Le présent appareil est conforme aux CNR d'Industrie Canada applicables aux appareils radio exempts de licence. L'exploitation est autorisée aux deux conditions suivantes : (1) l'appareil ne doit pas produire de brouillage, et (2) l'utilisateur de l'appareil doit accepter tout brouillage radioélectrique subi, même si le brouillage est susceptible d'en compromettre le fonctionnement.

This Class B digital apparatus meets all requirements of the Canadian interference-causing equipment regulations.

Cet appareil numérique de la Classe B respecte toutes les exigences de règlement sur le matériel brouilleur du Canada.

IC:160A-HS2HOST9.

The term 'IC:' before the radio certification number only signifies that Industry Canada technical specifications were met.

## EU Compliance Statement

The Model HSM2HOST8 Wireless Transceiver has been certified by Telecommunication according to EN50131-1:2006 + A1:2009 and EN50131-3:2009, for Grade 2, Class II.

Note: For EN50131 compliant installations only, the intrusion portion of

the alarm system has been investigated. Fire Alarm and Auxiliary (Medical) Alarm functions were not included in the evaluation of this product under the requirements of the above mentioned standards.

© 2014 Tyco Security Products. All Rights Reserved. [www.dsc.com](http://www.dsc.com)

The trademarks, logos, and service marks displayed on this document are registered in the United States [or other countries]. Any misuse of the trademarks is strictly prohibited and Tyco will aggressively enforce its intellectual property rights to the fullest extent of the law, including pursuit of criminal prosecution wherever necessary. All trademarks not owned by Tyco are the property of their respective owners, and are used with permission or allowed under applicable laws. Product offerings and specifications are subject to change without notice. Actual products may vary from photos. Not all products include all features. Availability varies by region; contact your sales representative.

# DSC

A Tyco International Company



29009205R001