

PGBRACKET

PowerG Motion Detector Swivel Mounting Brackets Installation Instructions

Overview

The PGBRACKET-1, PGBRACKET-2 and PGBRACKET-3 are universal swivel PIR detector mounting brackets. Use these installation instructions in conjunction with the appropriate PIR detector installation instructions.

The PGBRACKET-1 is designed for surface mounting and is adjustable 30° down and 45° left or 45° right. It mounts to the wall using two long mounting screws and two plastic wall anchors.

The PGBRACKET-2 is a kit that consists of the surface-mounted bracket PGBRACKET-1 and a corner mounting adapter. The corner adapter is designed to accept the back plate of the PGBRACKET-1 as if it were installed on a straight wall.

The PGBRACKET-3 is a kit that consists of the surface-mounted bracket PGBRACKET-1 and a ceiling mount adapter. The ceiling adapter is designed to accept the back plate of the PGBRACKET-1 as if it were installed on a straight wall.

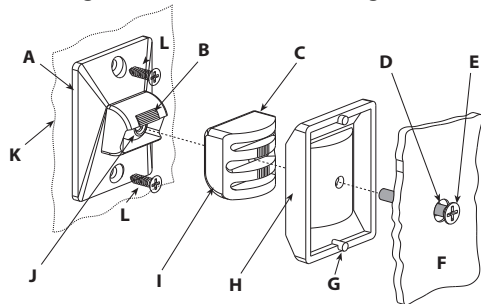
Two short screws serve for securing the back plate of the PGBRACKET-1 to the corner or ceiling adapter, respectively. Two long mounting screws with two plastic wall anchors are used to mount the adapters to the wall or ceiling.

Mounting the Brackets

Legend

- | | |
|-------------------------------|----------------------------|
| A. Backplate | K. Wall |
| B. Ribs | L. Screw |
| C. Pivot | M. Mounting hole |
| D. Knockout | N. Corner adapter |
| E. Locking screw | O. Bottom wiring knockouts |
| F. Back of PIR | P. Cavity |
| G. Mounting standoff (1 of 2) | Q. Ceiling mount |
| H. Front plate | R. Mounting screw |
| I. Large curve | S. PIR |
| J. Ball | |

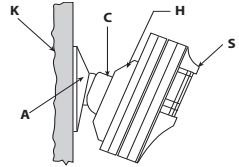
Installing the PGBRACKET-1 Mounting Bracket



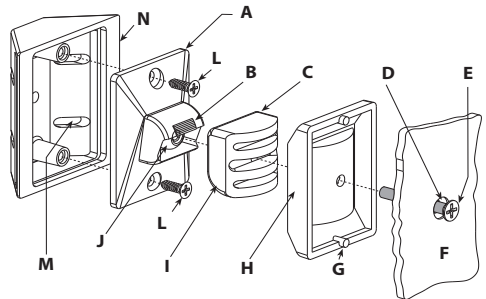
1. Disassemble the bracket by releasing the locking screw (E).
2. Position the backplate (A) on the wall in the desired location. Using the backplate, mark the two screw holes to be drilled.
3. Drill the two holes where marked and securely fix the backplate to the wall with the furnished pan-head screws and anchors. Be careful to position the ribs (B) upward.
4. If required, center the backplate ball (J) using the locking screw (E), which only fits into one side of the ball. With your fingers, insert the

locking screw into the backplate ball and shift the ball until the hole faces directly forward and remove the screw.

5. Open the PIR detector and, if applicable, remove the PC board by releasing the locking screw. Be careful not to touch the pyro detector.
6. Punch out the screw hole knockout (D) in the back of the PIR (F).
7. Hold the back of the PIR with the top side facing up. Insert the front plate mounting standoffs (G) into the holes in the back of the PIR.
8. Mount the pivot (C) onto the front plate, taking care to position the large curve (I) downward.
9. Insert the locking screw (E) into the hole in the back of the PIR (F), through the front plate (H) and pivot (C), and into the backplate ball (J). Turn the screw down but do not secure it tightly.
10. Adjust the PIR backplate to the desired position (left, right or down) and tighten the locking screw securely with a screwdriver.
11. If applicable, reinstall the PC board.
12. Reassemble the PIR and walk test in accordance with the PIR installation instructions.



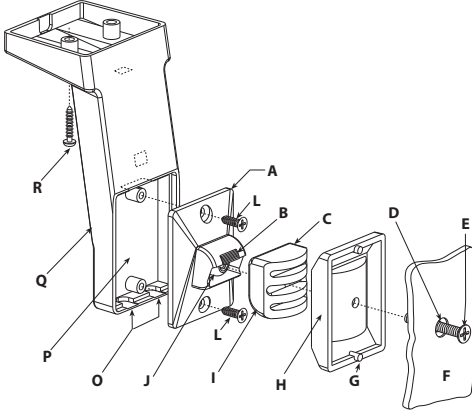
Installing the PGBRACKET-2 Corner Adapter



1. Push the corner adapter (N) into the corner until the angled sides are tight against both walls. Using the two diagonally opposite holes mark the points to be drilled on the wall.
2. Drill 2 holes where marked. Insert the plastic wall plugs and secure the corner adapter to the wall using two long pan-head screws.
3. Disassemble the swivel bracket by removing the single locking screw (E). Put all parts aside except for the backplate (A).
4. Fit the backplate into the corner adapter (N), taking care to position the backplate with the ribs (B) upward. Secure the backplate to the corner adapter with the two short conical-head screws (L).
5. If required, center the backplate ball (J) using the locking screw (E), which only fits into one side of the ball. With your fingers, insert the locking screw into the backplate ball and shift the ball until the hole faces directly forward and remove the screw.
6. Open the PIR detector and, if applicable, remove the PC board by releasing the locking screw. Be careful not to touch the pyro detector.
7. Punch out the screw hole knockout (D) in the back of the PIR (F).
8. Hold the back of the PIR with the top side facing up. Insert the front plate mounting standoffs (G) into the holes in the back of the PIR.
9. Mount the pivot (C) onto the front plate, taking care to position the large curve (I) downward.
10. Insert the locking screw (E) into the hole in the back of the PIR (F), through the front plate (H) and pivot (C), and into the backplate ball (J). Turn the screw down but do not secure it tightly.
11. Adjust the PIR backplate to the desired position (left, right or down) and tighten the locking screw securely with a screwdriver.
12. If applicable, reinstall the PC board.
13. Reassemble the PIR and walk test in accordance with the PIR installation instructions.

Installing the PGBRACKET-3 ceiling mount

Limited Warranty



1. Press the ceiling mount (Q) against the ceiling. Using the two mounting holes mark the points to be drilled on the ceiling.
2. Drill 2 holes where marked. Insert the plastic wall plugs and secure the ceiling mount to the ceiling using two long pan-head screws. In tiled acoustic ceilings, use toggle bolts instead.
3. Disassemble the swivel bracket by removing the locking screw (E). Put all parts aside except for the backplate (A).
4. Fit the backplate onto the ceiling mount cavity (P), taking care to position it with the ribs (B) upward. Secure the backplate to the corner adapter ceiling mount with the two short conical-head screws (L).
5. If required, center the backplate ball (J) using the locking screw (E), which only fits into one side of the ball. With your fingers, insert the locking screw into the backplate ball and shift the ball until the hole faces directly forward and remove the screw.
6. Open the PIR detector and, if applicable, remove the PC board by releasing the locking screw. Be careful not to touch the pyro detector.
7. Punch out the screw hole knockout (D) in the back of the PIR (F).
8. Hold the back of the PIR with the top side facing up. Insert the front plate mounting standoffs (G) into the holes in the back of the PIR.
9. Mount the pivot (C) onto the front plate, taking care to position the large curve (I) downward.
10. Insert the locking screw (E) into the hole in the back of the PIR (F), through the front plate (H) and pivot (C), and into the backplate ball (J). Turn the screw down but do not secure it tightly.
11. Adjust the PIR backplate to the desired position (left, right or down) and tighten the locking screw securely with a screwdriver.
12. If applicable, reinstall the PC board.
13. Reassemble the PIR and walk test in accordance with the PIR installation instructions.

Digital Security Controls warrants that for a period of 12 months from the date of purchase, the product shall be free of defects in materials and workmanship under normal use and that in fulfillment of any breach of such warranty, Digital Security Controls shall, at its option, repair or replace the defective equipment upon return of the equipment to its repair depot. This warranty applies only to defects in parts and workmanship and not to damage incurred in shipping or handling, or damage due to causes beyond the control of Digital Security Controls such as lightning, excessive voltage, mechanical shock, water damage, or damage arising out of abuse, alteration or improper application of the equipment.

The foregoing warranty shall apply only to the original buyer, and is and shall be in lieu of any and all other warranties, whether expressed or implied and of all other obligations or liabilities on the part of Digital Security Controls. Digital Security Controls neither assumes responsibility for, nor authorizes any other person purporting to act on its behalf to modify or to change this warranty, nor to assume for it any other warranty or liability concerning this product.

In no event shall Digital Security Controls be liable for any direct, indirect or consequential damages, loss of anticipated profits, loss of time or any other losses incurred by the buyer in connection with the purchase, installation or operation or failure of this product.

Warning: *Digital Security Controls recommends that the entire system be completely tested on a regular basis. However, despite frequent testing, and due to, but not limited to, criminal tampering or electrical disruption, it is possible for this product to fail to perform as expected.*

Important Information: *Changes or modifications not expressly approved by Digital Security Controls could void the user's authority to operate this equipment.*

© 2014 Tyco International Ltd. and its Respective Companies. All Rights Reserved. The trademarks, logos, and service marks displayed on this document are registered in the United States [or other countries]. Any misuse of the trademarks is strictly prohibited and Tyco International Ltd. will aggressively enforce its intellectual property rights to the fullest extent of the law, including pursuit of criminal prosecution wherever necessary. All trademarks not owned by Tyco International Ltd. are the property of their respective owners, and are used with permission or allowed under applicable laws. Product offerings and specifications are subject to change without notice. Actual products may vary from photos. Not all products include all features. Availability varies by region; contact your sales representative.

Toronto, Canada • www.dsc.com • Tech. Support: 1-800-387-3630 (Canada, US), 905-760-3000

SPECIFICATIONS

Adjustment: Vertical - 0° to 30° downward; horizontal - 45° right, 45° left

Note: A PIR detector mounted with the PGBRACKET-2 is horizontally adjustable as far as the adjacent walls will allow (depending on the size of the PIR).

Size (H x W x D):

PGBRACKET-1: 50 x 38 x 28 mm (2 x 1.5 x 1.1 in.)

PGBRACKET-2: 54 x 52 x 42 mm (2-1/8 x 2-1/16 x 1-5/8 in.)

PGBRACKET-3: 110 x 51 x 76 mm (4-5/16 x 2 x 3 in.)

Weight

PGBRACKET-1: 30 g (1 oz)

PGBRACKET-2: 42 g (1-1/2 oz)

PGBRACKET-3: 62 g (2-1/4 oz)



29008975R001