



A Tyco International Company

D-304676

## PG9912/PG8912/PG4912

### Wireless PowerG 2-way Glass-break Detector

#### Operation

The PGx912 is a supervised, wireless 2-way glass-break detector that detects the breaking of framed glass mounted in a wall. The PGx912 is protected by a front and back tamper switch that transmits a tamper message when the cover is removed or when the base is forcibly detached from the wall. A red LED mounted on the transmitter PCB (visible only when the cover is off) lights whenever alarm or tamper events are reported. The LED does not light while a supervision message is being transmitted.

#### Device Setup

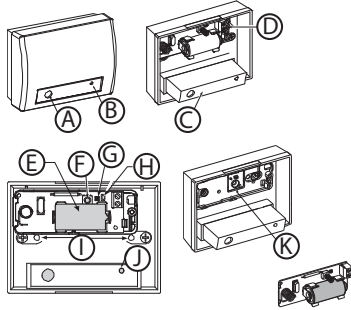
**Caution!** To be installed by service persons in non-hazardous locations only. Risk of explosion if battery is replaced by an incorrect type. Dispose of used batteries according to the manufacturer's instructions and according to local rules and regulations. Batteries are to be replaced by service persons only. Observe polarity when replacing batteries.

**Attention!** The PGx912 has a back tamper switch under the PCB. As long as the PCB is seated firmly within the base, the switch lever will be pressed against a special break-away base segment that is loosely connected to the base. Be sure to fasten the break-away segment to the wall. If the detector unit is forcibly removed from the wall, this segment will break away from the base, causing the tamper switch to open.

**Caution!** The back tamper switch will not protect the unit unless the break-away base segment is secured to the wall with at least one screw.

**Note:** To ensure the continued operation of all wireless devices after performing a system default, a global upload of all wireless programming via DLS is recommended before defaulting the system. After completing the system default, download the wireless programming.

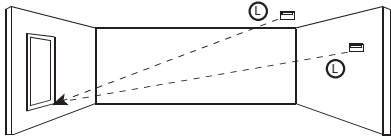
#### Legend



- A. Microphone
- B. Detection indicator
- C. Acoustic sensor module
- D. PowerG transmitter module
- E. Battery
- F. Tamper switch
- G. Transmit Indicator
- H. Enroll button
- I. Mounting holes
- J. Detection indicator
- K. Break-away base segment
- L. Max range of 6m (20ft)

#### Acoustic Sensor

The acoustic sensor module of the PGx912, provides 360° coverage. Coverage is measured from the sensor to the point on the glass farthest from the sensor. The sensor can be mounted as close as 1 m (3.3 ft) from the glass.



When mounted on opposite wall or adjoining walls, the range is 6 m (20 ft) for plate, tempered, laminated and wired glass. When mounted on the ceiling, the maximum range is 6 m (20 ft) for plate, tempered, laminated and wired glass. For armor-coated glass, mount the sensor no more than 3.65 m (12 ft) from the glass.

#### Install the battery

1. Use a screwdriver to separate the cover from the base.
2. While observing polarity, insert the battery into the battery clips.
3. Click the front tamper switch once and release it to reset the transmitter at power up.

**Note:** When manually programming wireless devices, if a device has been powered up for more than 48 hours it cannot be enrolled into the system until the device has been tampered and restored. When programming the panel using the Quick Enroll procedure follow the steps detailed in Enroll the Device into the System.

**Note:** After restoring a low battery trouble the system may take up to 5 minutes to clear the trouble.

#### Enroll the Device into the System

To quick enroll:

1. On a keypad press [\*] [8] [Installer Code] [804] [000].
2. Press and hold the device enroll button until the LED lights steady and then release the enroll button while the LED is still lit. A confirmation message then appears on the keypad.
3. Press [\*] key to confirm ID.
4. Enter [3 digit zone #].
5. Enter [3 digit zone type].
6. Enter [1 digit partition #] for all desired partitions and press [#]. If using an LCD keypad you can scroll to the desired partitions and press [\*] to toggle the partition.
7. On an LCD keypad enter the label by using word library.

To pre-enroll:

1. Remotely configure the unique ID number into the system. For more information see the HSM2HOST1 manual.
2. When on-site, press the device enroll button.

**Note:** If the wireless device has been powered for more than 48 hours without being enrolled, tamper and restore the device to enroll it.

#### Placement Testing

Before permanently mounting any wireless device, temporarily mount the device and perform a Placement test.

1. Tamper the device by removing the cover.
2. Restore and re-tamper the device.
3. Verify the red LED blinks, indicating detection. After 2 seconds the LED blinks 3 times. The following table indicates received signal strength.

| LED response      | Signal Strength  |
|-------------------|------------------|
| Green LED blinks  | STRONG           |
| Orange LED blinks | GOOD             |
| Red LED blinks    | POOR             |
| No blinks         | No communication |

**IMPORTANT!** Only GOOD or STRONG signal strengths are acceptable. If you receive a POOR signal from the device, relocate it and re-test until a GOOD or STRONG signal is received.

**Note:** For UL/ULC installations, only STRONG signal levels are acceptable. After installation verify the product functionality in conjunction with the compatible receivers HSM2HOST9, HS2LCDRF(P)9, HS21CNRFP)9 and PG9920.

**Note:** For detailed Placement instructions refer to the control panel Reference Guide

#### Mounting the Device

For reliable detection, avoid installing in:

- Rooms with lined, insulating, or sound deadening drapes.
- Rooms with closed wooden window shutters.

- Rooms where white noise, such as air compressor noise, is present (a blast of compressed air may cause a false alarm).
- Avoid rooms smaller than 3 x 3 m (10 x 10 ft).
- Glass airlocks and glass vestibule areas.
- Noisy kitchens.
- Parking garages.
- Small utility rooms.
- Stairwells.
- Small bathrooms.
- Very humid rooms (the PGx912 is not hermetically sealed. Excess moisture may cause the circuit board to short-circuit and trigger false alarms).
- Other small acoustically live rooms where the dimensions of the protected glass are smaller than the dimensions listed in the Specifications.
- When requiring 24-hour glass break detection it is recommended to configure as either an interior or exterior zone and to use shock sensors on the windows or window frames.
- Install the sensor at least 1.2 m (4 ft) away from noise sources (televisions, speakers, sinks, doors, etc.).
- Locate the sensor in a direct line of sight of all protected windows.
- Glass-break sensors should always be backed up by interior protection.
- Ceiling and adjoining (side) walls are good sensor locations. Position a ceiling mounted sensor 2 - 3 m (6 - 10 ft) away from the protected glass.

To mount the device:

1. Remove the PCB from the base.
2. Using the screws and plugs provided, securely fasten the device to the mounting surface.

## Configuration

To enter the wireless configuration section enter [804][Zone Number].

#### Device Toggles

[001][04] **Supervision - Default [Y]**

Enables supervision of the device.

#### Test Mode

The PGx912 detects the breakage of framed glass mounted in an outside wall. Testing the sensor with unframed glass, broken bottles, etc., may not trip the sensor. The sensor typically does not trip if a glass breaks in the middle of the room - it is unlikely that a burglar will break glass in the middle of a room, so such "breakages" are considered false alarms.

The Pattern Recognition Technology™ of the PGx912, ignores most false alarm sounds, including glass-break testers. In order to test the PGx912, a test mode is used. With the sensor in the test mode, processing of the glass-break pattern in the upper and lower frequencies is disabled. The PGx912 is then sensitive only to the mid-range frequencies which the Sentrol 5709C hand-held tester reproduces. It's the mid-range frequencies that determine sensor coverage.

In the normal mode, the detection LED flashes briefly upon receiving a loud sound. when in the normal mode, the PGx912 will not trip to the tester's signal, unless the tester is held next to the sensor.

**Note:** Each time the sensor triggers an alarm, it also enters the TEST mode for one minute.

#### Switching the Sensor to the Test Mode

Use the Sentrol 5709C or the Intellisense FG701 hand-held tester to switch the sensor into the test mode. Set the tester to tempered glass, hold the tester speaker directly on top of the sensor and activate the tester. The sensor will alarm, then it will go into test mode for one minute. When in test mode the LED on the sensor will flash continuously. Prolong the test session by firing the tester at the sensor at least once a minute.

#### Testing the Sensor

The tester has a different setting for each type of glass. It should always be set for tempered or laminated glass (either is correct and both have the same range) unless you are certain that all the protected glass is plate glass.

1. Holding the tester near the surface of the glass, aim the tester at the PGx912 and press the test button. If drapes or blinds are present, test with the hand-held tester behind the closed drapes or blinds (do not install the sensor where

- heavy or lined drapes are used). If the sensor is mounted on the same wall, point the tester at the opposite wall.
2. When the LED on the sensor goes solid momentarily while the tester is triggered, the glass is within detection range.
3. If the LED does not go solid, but continues flashing as before, re-position the sensor closer to the protected windows and retest. This may require adding sensors in order to achieve adequate coverage. It is very rare that the sensor will not activate within its stated range of coverage. Double check adequate battery strength in the hand-held tester. A new tester battery will likely restore the range.

**Note:** The sensor will automatically change from test mode to normal mode approximately one minute after the last signal received from the hand-held tester.

**Important!** Room acoustics can artificially extend the range of a glass-break sensor. The specified range of the PGx912 has been established for worst-case conditions. While the sensor is likely to function at additional range, it may miss a "minimum output" break, or room acoustics may be changed at some future time, restoring sensor coverage back to the normal range of 6 m (20 ft).

Do not exceed the rated range of the sensor, regardless of what the tester shows.

#### Hand Clap Test

The PGx912 can be checked by the installer or end user while in normal mode, simply by clapping hands loudly under the sensor. The LED will flash twice, but the sensor will not trip. This verifies visually that there is power to the sensor, and that the microphone and circuit board are functioning. The hand clap activation is only momentary, so there is no appreciable effect on battery life.

## Specifications

**Frequency Band (MHz)Europe and other regions:** CE Listed PG4912: 433MHz; PG8912: 868MHz; FCC/IC listed PG9912: 912-919MHz

**Communication Protocol:** PowerG

**Supervision:** Signaling at 4-min. intervals

**Tamper Alert:** Reported when a tamper event occurs

**Battery:** 3 V Lithium CR-123A type battery GP

**Nominal Battery Capacity:** 1.45 Ah

**Battery Life Expectancy:** 4 years

**Low Battery Threshold:** 2.7 V

**Battery Supervision:** Automatic transmission of battery condition data as part of periodic status report

**Microphone:** Omni-directional electret

**Alarm Duration:** 4 seconds

**RF Immunity:** 20 V/m, 1 MHz to 1000 MHz

**Temperature Range:** -10°C to +55°C

**Recommended Glass Size**

**Minimum:** 0.3 x 0.6 m (1 x 2') or larger glass thickness

**Plate:** 2.4 to 6.4 mm (3/32" to 1/4")

**Tempered:** 3.2 to 6.4 mm (1/8" to 1/4")

**Wired:** 6.4 mm (1/4")

**Laminated:** 3.2 to 6.4 mm (1/8" to 1/4")

**Dimensions:** 80 x 108 x 43 mm (3.13 x 4.24 x 1.70 in.)

**Weight (not including battery):** 130 g (4.6 oz)

**Housing Material and Color:** Flame retardant ABS, white

## Compatible Receivers

433MHz Band: HSM2HOST4; HS2LCDRF(P)4; HS21C-

NRF(P)4; PG4920

868MHz Band: HSM2HOST8; HS2LCDRF(P)8; HS21C-

NRF(P)8; PG8920

912-919MHz Band: HSM2HOST9; HS2LCDRF(P)9; HS21C-

NRF(P)9; PG9920

Europe: The PG4912 and PG8912 are compliant with the RTTE requirements - Directive 1999/5/EC of the European Parliament and of the Council of 9 March 1999.

## FCC COMPLIANCE STATEMENT

WARNING! Changes or modifications to this unit not expressly approved by the party responsible for compliance could void the user's authority to operate the equipment.

This device has been tested and found to comply with the limits for a Class B digital device, pursuant to Part 15 of the FCC Rules. These limits are designed to provide reasonable protection against harmful interference in residential installations. This equipment generates uses and can radiate radio frequency energy and, if not installed and used in

accordance with the instructions, may cause harmful interference to radio and television reception.

However, there is no guarantee that interference will not occur in a particular installation. If this device does cause such interference, which can be verified by turning the device off and on, the user is encouraged to eliminate the interference by one or more of the following measures:

- Re-orient or re-locate the receiving antenna.
- Increase the distance between the device and the receiver.
- Connect the device to an outlet on a circuit different from the one that supplies power to the receiver.
- Consult the dealer or an experienced radio/TV technician.

This equipment complies with FCC and IC RF radiation exposure limits set forth for an uncontrolled environment.

This device complies with FCC Rules Part 15 and with Industry Canada licence-exempt RSS standard(s). Operation is subject to the following two conditions: (1) This device may not cause harmful interference, and (2) this device must accept any interference that may be received or that may cause undesired operation.

Le présent appareil est conforme aux CNR d'Industrie Canada applicables aux appareils radio exempts de licence. L'exploitation est autorisée aux deux conditions suivantes : (1) l'appareil ne doit pas produire de brouillage, et (2) l'utilisateur de l'appareil doit accepter tout brouillage radioélectrique subi, même si le brouillage est susceptible d'en compromettre le fonctionnement.

## PG9912/PG8912/PG4912

### Détecteur de bris de glace sans fil bidirectionnel PowerG

#### Fonctionnement

Le PGx912 est un détecteur de bris de glace sans fil, bidirectionnel, supervisé qui détecte la cassure d'un panneau vitré fixé à un mur. Le PGx912 est protégé par un contact anti-sabotage à l'avant et à l'arrière qui transmet un message de sabotage quand le capot est retiré ou quand la base est détachée avec force du mur. Un voyant lumineux rouge fixé sur la carte du transmetteur (visible uniquement quand le capot est retiré) s'allume chaque fois que des événements de sabotage ou d'alarme sont signalés. Le voyant lumineux ne s'allume pas alors qu'un message de supervision est en cours de transmission.

#### Réglage du dispositif

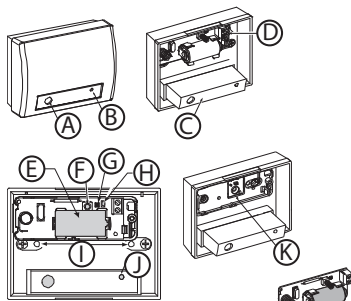
**Attention !** À faire installer par un agent de service dans des zones non dangereuses uniquement. Risque d'explosion si la pile n'est pas du type correct. Éliminer les piles usagées selon les recommandations du fabricant, les lois et réglementations locales. Les piles doivent être remplacées uniquement par un agent de service. Respecter les polarités lors du remplacement des piles.

**Attention !** Le PGx912 possède un contact anti-sabotage arrière sous le circuit imprimé. Tant que la carte de circuit imprimé est correctement insérée à l'intérieur de la base, le levier du contact appuiera contre le segment de la base défonçable qui est librement relié à la base. Assurez-vous de fixer le segment défonçable au mur. Si l'unité de détection est retirée avec force du mur, ce segment se détachera de la base ce qui provoque l'ouverture du contact anti-sabotage !

**Attention !** Le contact anti-sabotage arrière ne protégera l'unité que lorsque le segment de la base défonçable sera fixé au mur avec au moins une vis.

**Remarque :** Pour garantir le fonctionnement continu de tous les dispositifs sans fil après avoir réalisé une réinitialisation aux valeurs par défaut, un téléchargeur général de toute la programmation sans fil par DLS est recommandé avant de réinitialiser le système. Après avoir complété la réinitialisation aux valeurs par défaut du système, téléchargez la programmation sans fil.

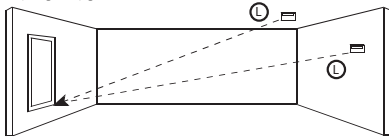
## Légende



- A. Microphone
- B. Indicateur de détection
- C. Module du capteur acoustique
- D. Module transmetteur PowerG
- E. Batterie
- F. Contact anti-sabotage
- G. Indicateur de communication
- H. Bouton d'attribution
- I. Trous de fixation
- J. Indicateur de détection
- K. Segment de base défonçable
- L. Portée maximale de 6 m (20 pieds)

## Capteur acoustique

Le module du capteur acoustique du PGx912 offre une couverture sur 360°. La couverture est mesurée du capteur au point sur la vitre le plus éloigné du capteur. Le capteur peut être fixé à 1 m (3,3 pieds) près de la vitre.



Si l'installation est réalisée sur la paroi opposée ou sur les murs attenants, la portée est de 6 m (20 pieds) pour un verre double, tempéré, laminé et filaire. Si l'installation est réalisée au plafond, la portée maximale est de 6 m (20 pieds) pour un verre double, tempéré, laminé et filaire. Pour un verre blindé, montez le détecteur à non plus de 3,65 m (12 pieds) du panneau vitré.

## Installer la pile

1. Utilisez un tournevis pour détacher le couvercle de la base.
2. Tout en respectant la polarité, insérez la batterie dans les clips de la batterie.
3. Appuyez brièvement le contact anti-sabotage avant et relâchez-le pour réinitialiser le transmetteur à la mise sous tension.

**Remarque :** Quand vous programmez manuellement les dispositifs sans fil, si un dispositif a été alimenté pendant plus de 48 heures, il ne peut pas être attribué dans le système tant que le dispositif n'a pas été saboté et rétabli.

**Remarque :** Après la restauration d'un défaut de batterie faible, le système peut prendre jusqu'à 5 minutes pour que la puce.

## Attribuer le dispositif dans le système

Pour une attribution rapide :

1. Sur le pavé numérique, appuyez sur [\*] [8] [Code de l'installateur] [804] [000].
2. Appuyez de façon prolongée sur le bouton d'attribution du dispositif tant que le voyant lumineux reste allumé, puis relâchez le bouton d'attribution alors que le voyant lumineux est encore allumé. Un message de confirmation apparaît alors sur le pavé numérique.
3. Appuyez sur la touche [\*] pour confirmer le ID.
4. Entrez le [n° de zone à 3 chiffres].
5. Entrez le [3 chiffres de type de zone].
6. Entrez le [n° de partition à 1 chiffre] pour toutes les partitions souhaitées et appuyez sur [#]. Si vous utilisez un

pavé numérique à cristaux liquides LCD, vous pouvez faire défiler les partitions souhaitées et appuyer sur [\*] pour basculer la partition.

7. Sur un pavé numérique LCD, entrez la référence en utilisant la bibliothèque de mot.

Pour une attribution préalable :

1. Configurez à distance le numéro ID unique dans le système. Pour plus d'informations, consultez le manuel HSM2HOST.

2. Sur site, appuyez sur le bouton d'attribution du dispositif.

**Remarque :** Si le dispositif sans fil a été alimenté pendant plus de 48 heures sans être attribué, sabotez et rétablissez le dispositif pour l'attribuer.

## Test de positionnement

Avant de fixer de façon permanente un dispositif sans fil quelconque, montez-le temporairement et effectuez un test de positionnement.

1. Sabotez le dispositif en retirant le cache.
2. Rétablissez et sabotez à nouveau le dispositif.
3. Contrôlez que le voyant lumineux rouge clignote ce qui indique que le détecteur fonctionne. Après 2 secondes, le voyant clignote 3 fois. Le tableau suivant indique la force du signal reçu.

| Réponse du voyant         | Force du signal      |
|---------------------------|----------------------|
| Le voyant vert clignote   | FORT                 |
| Le voyant orange clignote | BON                  |
| Le voyant rouge clignote  | FAIBLE               |
| Aucun clignotement        | Aucune communication |

**IMPORTANT !** Seules les forces de signal FORT ou BON sont acceptables. Si vous recevez un signal FAIBLE du dispositif, déplacez-le et testez-le à nouveau jusqu'à ce qu'un signal BON ou FORT soit reçu.

**Remarque :** Pour les installations UL/ULC, seul un signal FORT est acceptable. Après installation, vérifiez les fonctionnalités de l'appareil en association avec les récepteurs compatibles HSM2HOST9, HS2LCDRF(P)9, HS2ICNRF(P)9 et PG9920.

**Remarque :** Pour des instructions détaillées sur le positionnement, consultez le guide de référence de la centrale.

## Installation de l'appareil

Pour une bonne détection, évitez les installations dans :

- Les pièces avec des rideaux doubles, isolants ou insonorisés.
- Les pièces avec des volets en bois fermés.
- Les pièces où du bruit blanc, comme le bruit d'un compresseur à air, est présent (un jet d'air comprimé peut provoquer une fausse alarme).
- Les pièces trop petites de 3 x 3 m (10 x 10 pieds).
- Les zones à vestibule vitré et à sas vitré.
- Les cuisines bruyantes.
- Les garages de stationnement.
- Les petites pièces de service.
- Les cages d'escalier.
- Les petites salles de bain.
- Les pièces trop humides (le PGx912 n'est pas hermétiquement fermé. Une humidité excessive peut provoquer un court-circuit de la carte électronique et déclencher de fausses alarmes).
- D'autres petites pièces à acoustique de direct où les dimensions du verre protégé sont plus petites que celles définies dans les spécifications.
- Quand une détection de bris de glace de 24 heures est nécessaire, il est recommandé de la configurer avec zone intérieure ou extérieure et d'utiliser des détecteurs de choc sur les cadres de fenêtres ou les fenêtres.
- Éloignez et installez le détecteur à au moins 1,2 m (4 pieds) des sources de bruit (télévisions, enceintes de haut-parleur, évier, portes, etc.).
- Placez le détecteur en vue dégagée de toutes les fenêtres protégées.
- Les détecteurs de bris de glace doivent toujours être renforcés par une protection intérieure.
- Des murs attenants et le plafond sont de bons emplacements pour le détecteur. Positionnez un détecteur monté au plafond à 2 à 3 m (6 à 10 pieds) du verre protégé.

Installation de l'appareil :

1. Retirez la carte de circuit imprimé de la base.
2. En utilisant les vis et les chevilles fournies, fixez solidement le dispositif sur la surface d'installation.

**Remarque :** Si le dispositif sans fil a été alimenté pendant plus de 48 heures sans être attribué, sabotez et rétablissez le dispositif pour l'attribuer.

## Configuration

Pour accéder à la section de configuration sans fil, entrez la commande [804][n° de la zone à 3 chiffres].

### Commutateurs du dispositif

[001][04] **Supervision : Valeur par défaut [O]**

Active la supervision

## Mode de test

Le PGx912 détecte la rupture d'un verre encadré monté dans un mur extérieur. Tester le détecteur avec un verre sans cadre, des bouteilles brisées, etc. ne déclenchera pas le détecteur. Le détecteur ne se déclenche pas typiquement si du verre est brisé au milieu de la pièce : il est peu probable qu'un cambrioleur brisera du verre au milieu d'une pièce. Donc de tels « bris de glace » sont considérés de fausses alarmes.

La fonction Pattern Recognition Technology™ du PGx912 ignore la plupart des faux sons d'alarme, y compris les testeurs de bris de glace. Pour tester le PGx912, un mode de test est disponible. Avec le détecteur en mode de test, le traitement du motif de bris de glace, dans les fréquences basses et hautes, est désactivé. Le PGx912 ne détecte alors que les fréquences moyennes que le testeur manuel Sentrol 5709C est en mesure de reproduire. Ce sont les fréquences moyennes qui définissent la couverture du détecteur.

En mode normal, le voyant lumineux de détection clignote brièvement à la suite de la réception d'un son fort. En mode normal, le PGx912 ne se déclenche pas avec le signal du testeur, à moins que le testeur soit tenu à proximité du détecteur.

**Remarque :** Chaque fois que le détecteur déclenche d'une alarme, il entre aussi en mode TEST pour une minute.

## Activer le mode test du détecteur

Utilisez le testeur manuel Sentrol 5709C ou Intellisense FG701 pour commuter en mode test le détecteur. Réglez le testeur sur un verre tempéré, placez le haut-parleur du testeur directement au-dessus du détecteur et activez le testeur. Le détecteur déclenche l'alarme puis passe en mode test pendant une minute. En mode test, le voyant lumineux sur le détecteur clignotera de façon continue. Prolongez la séance de test en activant le testeur au niveau du détecteur pendant au moins une minute.

## Test du détecteur

Le testeur possède différents réglages pour chaque type de verre. Il doit toujours être réglé sur un verre tempéré ou laminé (l'un et l'autre sont corrects et les deux ont le même plage de fonctionnement) à moins d'être sûr que tous les verres protégés sont de verre double.

1. En plaçant le testeur près de la surface en verre, pointez le testeur vers le PGx912 et appuyez sur le bouton de test. Si des rideaux ou des stores sont présents, testez avec le testeur manuel derrière les rideaux ou les stores fermés (n'installez pas le détecteur là où des rideaux doubles ou épais sont utilisés). Si le détecteur est monté sur le même mur, pointez le testeur vers le mur opposé.
2. Quand le voyant lumineux sur le détecteur reste allumé momentanément alors que le testeur est enclenché, le verre est dans la plage de détection.
3. Si le voyant lumineux ne reste pas allumé, mais continue de clignoter comme précédemment, remplacez le détecteur à proximité de la fenêtre protégée et testez à nouveau. Des détecteurs supplémentaires seront éventuellement nécessaires pour obtenir la couverture adéquate. Il est très rare que le détecteur ne s'active pas dans la zone de couverture définie. Contrôlez bien que le niveau de batterie est suffisant dans le testeur manuel. Une batterie neuve dans le testeur rétablira la bonne plage.

**Remarque :** Le détecteur passe automatiquement du mode test au mode normal environ une minute après le dernier signal reçu du testeur manuel.

**Important !** L'acoustique de la pièce peut étendre de façon artificielle la plage du détecteur de bris de glace. La plage de fonctionnement du PGx912 a été établie pour les pires conditions. Alors que le détecteur est susceptible de fonctionner dans une plage additionnelle, il peut manquer un bris de glace de « sortie minimale », ou l'acoustique de la pièce peut être modifiée à une date ultérieure, rétablissant la couverture du détecteur à la plage normale de 6 m (20 pieds).

Ne dépassez pas la plage nominale du détecteur indépendamment de ce que le testeur indique.

## Test de frappe de mains

Le PGx912 peut être testé par l'installateur ou l'utilisateur final alors qu'il est en mode normal, simplement en frappant les mains fortement sous le détecteur. Le voyant lumineux clignotera deux fois mais le détecteur ne se déclenchera pas. Vous pouvez vérifier ainsi que le détecteur est bien alimenté et que le microphone et le circuit électronique fonctionnent.

L'activation par frappe de mains est uniquement momentanée, il n'y a donc aucun effet sur l'autonomie de la batterie.

## Caractéristiques techniques

**Bande de fréquence (MHz) Europe et reste du monde :** PG4912 homologué CE : 433 MHz ; PG8912 homologué CE : 868 MHz ; PG9912 homologué FCC/IC : 912-919 MHz

**Protocole de communication :** PowerG

**Supervision :** Signalisation par intervalles de 4 min.

**Alarme de sabotage :** Signalé quand un événement de sabotage survient

**Pile :** Batterie de type CR123A de 3 V au lithium, GP.

**Capacité nominale de la batterie :** 1,45 Ah

**Durée de vie estimée de la pile :** 4 ans

**Seuil de niveau faible de pile :** 2,7 V

**Supervision de la pile :** Transmission automatique de l'état de la batterie comme partie intégrante des rapports d'état périodiques.

**Microphone :** Électret omnidirectionnel

**Durée d'alarme :** 4 secondes

**Immunité RF :** 20 V/m, de 1 MHz à 1000 MHz

**Plage de température :** de -10 °C à +55 °C

Dimension de verre recommandé

**Minimale :** 0,3 x 0,6 m (1 x 2') ou épaisseur de verre plus grande

**Double :** de 2,4 à 6,4 mm (de 3/32" à 1/4")

**Tempéré :** de 3,2 à 6,4 mm (de 1/8" à 1/4")

**Filaire :** 6,4 mm (1/4")

**Laminé :** de 3,2 à 6,4 mm (de 1/8" à 1/4")

**Dimensions :** 80 x 108 x 43 mm (3,13 x 4,24 x 1,70 pouces).

**Poids (batterie non incluse) :** 130 g (4,6 oz)

**Matériau du boîtier et couleur :** Résine ABS ignifugé, blanc

## Récepteurs compatibles

Bande de 433 MHz : HSM2HOST4; HS2LCDRF(P)4; HS2ICNRF(P)4; PG4920

Bande de 868 MHz : HSM2HOST8; HS2LCDRF(P)8; HS2ICNRF(P)8; PG8920

Bande de 912-919 MHz : HSM2HOST9; HS2LCDRF(P)9; HS2ICNRF(P)9; PG9920

**CE** Europe : Le PG4912 et le PG8912 sont compatibles avec la réglementation RTTE : directive 1995/5/EC du Parlement Européen et du Conseil du 9 mars 1999.

## PG9912/PG8912/PG4912

## Détecteur de rotura de cristal bidirectionnel inalámbrico PowerG

### Operación

El PGx912 es un detector de rotura de cristal bidireccional inalámbrico supervisado que detecta la rotura de cristal en un marco montado en una pared. El PGx912 está protegido por un interruptor contra manipulación delantera y trasera que transmite un mensaje de manipulación cuando se retira la cubierta o cuando la base se separa violentamente de la pared. Un LED rojo montado en el transmisor PCB (visible solamente cuando la cubierta está retirada) se enciende siempre que se indican eventos de alarma o manipulación. El LED no se enciende mientras se transmite un mensaje de supervisión.

### Configuración del dispositivo

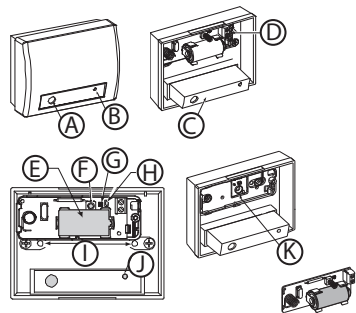
**¡Precaución!** Para ser instalado por personal de servicio técnico solo en ubicaciones no peligrosas. Riesgo de explosión si la batería es reemplazada por otra del tipo incorrecto. Deseche las baterías usadas según las instrucciones del fabricante y de acuerdo con los reglamentos y leyes locales. Las baterías deben ser reemplazadas solamente por personal de servicio técnico. Observe la polaridad al reemplazar las baterías.

**¡Atención!** El PGx912 tiene un interruptor trasero contra manipulación debajo del PCB. Mientras el PCB se asiente firmemente dentro de la base, la palanca del interruptor estará presionada contra un segmento base de ruptura especial que está conectado libremente con la base. Asegúrese de sujetar el

segmento de ruptura a la pared. Si la unidad del detector se retira violentamente de la pared, este segmento se separará de la base, causando que el interruptor contra manipulación se abra. **¡Precaución!** El interruptor trasero contra manipulación no protegerá la unidad a menos que el segmento de la base de ruptura se asegure a la pared con al menos un tornillo.

**Nota:** Para asegurar la operación continuada de todos los dispositivos inalámbricos después de realizar un puesta del sistema a sus valores predefinidos, se recomienda realizar una carga global de toda la programación inalámbrica vía DLS antes de poner el sistema en sus valores predefinidos. Después de terminar la puesta del sistema a sus valores predefinidos, descargue la programación inalámbrica.

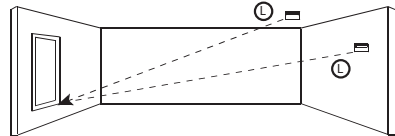
## Leyenda



- A. Micrófono
- B. Indicador de detección
- C. Módulo del detector acústico
- D. Módulo de transmisor de PowerG
- E. Batería
- F. Interruptor contra manipulación
- G. Indicador de transmisión
- H. Botón de asociar
- I. Agujeros de montaje
- J. Indicador de detección
- K. Segmento de la base de ruptura
- L. Rango máximo de 6 m (20 pies)

## Sensor acústico

El módulo del sensor acústico del PGx912, proporciona cobertura de 360°. La cobertura se mide desde el sensor hasta la punta en la parte más lejana del cristal del sensor. El sensor se puede montar tan cerca como 1 m (3,3 pies) del cristal.



Cuando se monta en la pared opuesta o en las paredes adyacentes, el rango es 6 m (20 pies) para cristal plano, templado, laminado y armado. Cuando se monta en el techo, el rango máximo es 6 m (20 pies) para cristal plano, templado, laminado y armado. Para cristal con una capa de recubrimiento, monte el sensor a no más de 3,65 m (12 pies) del cristal.

## Instale la batería

1. Use un destornillador para separar la cubierta de la base.
2. Mientras observa la polaridad, inserte la batería en los conectores de batería.
3. Pulse el interruptor contra manipulación del encendido y suéltelo para restaurar el transmisor en el encendido.

**Nota:** Al programar manualmente los dispositivos inalámbricos, si un dispositivo ha estado alimentado por más de 48 horas, no podrá asociarse en el sistema hasta que haya sido manipulado y restaurado.

**Nota:** Después de restaurar un problema de batería baja, el sistema puede tardar hasta 5 minutos para eliminar el problema.

## Asocie el dispositivo al sistema

Para asociar rápidamente:

- En el teclado, pulse [\*] [8] [Código del instalador] [804] [000].
- Pulse y mantenga pulsado el botón para asociar el dispositivo hasta que el LED se encienda de forma continua y luego suelte el botón mientras el LED aún está encendido. Aparecerá un mensaje de confirmación en el teclado.
- Pulse la tecla [\*] para confirmar el número de ID.
- Ingrese el [número de zona de 3 dígitos].
- Ingrese el [tipo de zona de 3 dígitos].
- Ingrese el [número de partición de 1 dígito] para todas las particiones deseadas y pulse [#]. Si usa un teclado LCD, puede desplazarse a las particiones deseadas y pulsar [\*] para alternar entre particiones.
- En un teclado LCD, ingrese la etiqueta usando la biblioteca de palabras.

Para realizar una asociación previa:

- Configure de forma remota el número de ID único en el sistema. Si desea más información, consulte el manual del HSM2HOST.
- Cuando esté en el lugar, pulse el botón para asociar el dispositivo.

**Nota:** Si el dispositivo inalámbrico ha estado alimentado por más de 48 horas sin ser asociado, manipule el dispositivo y réstaurole para asociarlo.

### Prueba de colocación

Antes de montar permanentemente cualquier dispositivo inalámbrico, monte el dispositivo temporalmente y realice una prueba de colocación.

- Manipule el dispositivo mediante el retiro de la cubierta.
- Restaur e vuelva a manipular el dispositivo.
- Verifique que el LED rojo destella, indicando la detección. Después de 2 segundos el LED parpadea 3 veces. La tabla siguiente indica la potencia de la señal recibida.

| Respuesta del LED       | Intensidad de señal  |
|-------------------------|----------------------|
| El LED verde parpadea   | FUERTE               |
| El LED naranja parpadea | BUENA                |
| El LED rojo parpadea    | BAJA                 |
| No parpadea             | Ninguna comunicación |

**¡IMPORTANTE!** Solamente las potencias de señal BUENA o FUERTE son aceptables. Si usted recibe una señal BAJA del dispositivo, reubíquelo y vuelva a probarlo hasta que reciba una señal BUENA o FUERTE.

**Nota:** Para instalaciones UL/ULC, solamente los niveles de señal FUERTE son aceptables. Después de la instalación, verifique la funcionalidad del producto junto con los receptores compatibles HSM2HOST9, HS2LCDRF(P)9, HS2ICNRF(P)9 y PG9920.

**Nota:** Puede encontrar instrucciones detalladas sobre la colocación en la Guía de referencia del panel de control.

### Montaje del dispositivo

Para una detección confiable, evite instalar en:

- Cuartos con cortinas forradas, aislantes, o amortiguados ras del sonido.
- Cuartos con ventanas con persianas de madera cerradas.
- Cuartos donde hay presente ruido de fondo, como el ruido de un compresor de aire, (una ráfaga de aire comprimido puede causar una falsa alarma).
- Evite cuartos más pequeños que 3 x 3 m (10 x 10 pies).
- Cámaras estancias de cristal y áreas de vestíbulo de cristal.
- Cocinas ruidosas.
- Cocheras de estacionamiento.
- Cuartos de servicio pequeños.
- Escaleras.
- Cuartos de baño pequeños.
- Cuartos muy húmedos (el PGx912 no está sellado herméticamente. El exceso de humedad puede hacer que la tarjeta del circuito haga cortocircuito y dispare una falsa alarma).
- Otras pequeñas salas acústicas donde las dimensiones del cristal protegido son menores que las dimensiones enumeradas en las Especificaciones.
- Cuando se requiera detección de rotura de cristal las 24 horas, se recomienda configurar como zona interior o exterior y utilizar sensores de choque en las ventanas o los marcos de ventana.
- Instale el sensor al menos a 1,2 m (4 pies) de distancia de las fuentes de ruido (televisores, altavoces, fregaderos, puertas, etc.).

- Ubique el sensor en una línea directa de visión de todas las ventanas protegidas.
- Los sensores de rotura de cristal siempre debe estar respaldados por protección interior.
- El techo y las paredes adyacentes (laterales) son buenas ubicaciones para el sensor. Coloque un sensor montado en el techo a 2 - 3 m (6 - 10 pies) de distancia del cristal protegido.

Para montar el dispositivo:

- Retire el PCB de la base.
- Use los tornillos y taquetes proporcionados para sujetar con seguridad el dispositivo a la superficie de montaje.

### Configuración

Para ingresar a la sección de configuración inalámbrica ingrese [804][número de zona de 3 dígitos].

#### Comunidades de dispositivo

[001][04] **Supervisión - Predeterminado [S]**  
Habilita la supervisión.

### Modo de prueba

El PGx912 detecta la rotura del cristal en un marco montado en una pared exterior. La prueba del sensor con cristal que no está en un marco, botellas rotas, etc., puede no disparar el sensor. El sensor no dispara normalmente si un cristal se rompe en el medio de la habitación - es improbable que un ladrón rompa un cristal en el medio de una habitación, por lo que tales “roturas” se consideran falsas alarmas.

El modelo PGx912 cuanta con Pattern Recognition Technology™, que ignora la mayoría de los sonidos de falsas alarmas, incluyendo los probadores de rotura de cristal. Para probar el PGx912, se utiliza un modo de prueba. Con el sensor en el modo de prueba, se deshabilita el procesamiento del patrón de rotura de cristal en las frecuencias más altas y más bajas. El PGx912 es sensible entonces solo a las frecuencias de rango medio que reproduce el probador portátil Sentrol 5709C. Son las frecuencias del rango medio las que determinan la cobertura del sensor.

En el modo normal, el LED de detección destella brevemente al recibir un sonido ruidoso. En el modo normal, el PGx912 no disparará a la señal del probador, a menos que el probador se sostenga al lado del sensor.

**Nota:** Cada vez que el sensor acciona una alarma, también ingresa al modo PRUEBA durante un minuto.

### Cambio del sensor al modo de prueba

Use el probador portátil Sentrol 5709C o el Intellisense FG701 para cambiar el sensor al modo de prueba. Fije el probador a cristal templado, sostenga el altavoz del probador directamente sobre el sensor y active el probador. El sensor indicará alarma y después entrará al modo de prueba por un minuto. En modo de prueba, el LED en el sensor destallará continuamente. Prolongue la sesión de la prueba encendiendo el probador en el sensor por lo menos una vez cada minuto.

### Prueba del sensor

El probador tiene una configuración diferente para cada tipo de cristal. Siempre debe fijarse para cristal templado o laminado (cualquiera es correcto y ambos tienen el mismo rango) a menos que usted esté seguro de que todo el cristal protegido sea cristal plano.

- Sosteniendo el probador cerca de la superficie del cristal, apunte el probador al PGx912 y pulse el botón de prueba. Si hay cortinas o persianas, haga la prueba con el probador portátil detrás de las cortinas o persianas cerradas (no instale el sensor cuando se usen cortinas pesadas o forradas). Si el sensor está montado en la misma pared, apunte el probador a la pared opuesta.
- Cuando el LED en el sensor se enciende de modo continuo momentáneamente mientras se acciona el probador, el cristal está dentro del rango de detección.
- Si el LED no se enciende de modo continuo, sino que continúa destallando como antes, reubique el sensor más cerca de las ventanas protegidas y pruebe nuevamente. Esto puede requerir agregar sensores para alcanzar una cobertura adecuada. Es muy raro que el sensor no se active dentro de su rango indicado de cobertura. Compruebe que la batería del probador portátil tenga la potencia adecuada. Una nueva batería del probador probablemente restablecerá el rango.

**Nota:** El sensor cambiará automáticamente del modo de prueba al modo normal aproximadamente un minuto después de la última señal recibida del probador portátil.

**¡Importante!** La acústica de la habitación puede extender artificialmente el rango del sensor de rotura de cristal. El rango especificado del PGx912 se ha establecido para condiciones en el peor escenario. Aunque es probable que el sensor funcione en un rango adicional, puede omitir una rotura de “salida mínima”, o la acústica de la habitación puede ser cambiada en cierta momento futuro, restableciendo la cobertura del sensor de nuevo al rango normal de 6 m (20 pies). No exceda el rango nominal del sensor, sin importar lo que indique el probador.

### Prueba del aplauso

El instalador o el usuario final pueden verificar el PGx912 en modo normal, simplemente aplaudiendo sonoramente debajo el sensor. El LED destallará dos veces, pero el sensor no disparará. Esto verifica visualmente que hay alimentación al sensor, y que el micrófono y la tarjeta del circuito están funcionando.

La activación del aplauso es solo momentánea, por lo que no hay ningún efecto apreciable sobre la vida de la batería.

## Especificaciones

**Banda de frecuencia (MHz) Europa y otras regiones:** PG4912 homologado por CE: 433 MHz; PG8912 homologado por CE: 868 MHz; PG9912 homologado por FCC/IC 912-919 MHz

**Protocolo de comunicación:** PowerG

**Supervisión:** Señalización a intervalos de 4 minutos

**Alerta contra manipulaciones:** Informado cuando ocurre un evento de manipulación

**Batería:** CR-123A, litio, 3 V, GP

**Capacidad nominal de la batería:** 1,45 A-h

**Vida útil de la batería:** 4 años

**Umbral de batería baja:** 2,7 V

**Supervisión de la batería:** Transmisión automática de los datos del estado de la batería como parte de cualquier informe de estado periódico.

**Micrófono:** Electret omnidireccional

**Duración de la alarma:** 4 segundos

**Inmunidad a la RF:** 20 V/m, 1 MHz a 1000 MHz

**Rango de temperatura:** -10 °C a +55 °C

Tamaño de cristal recomendado

**Mínima:** 0,3 x 0,6 m (1 x 2 pies) o espesores de cristal más grandes

**Plano:** 2,4 a 6,4 mm (3/32 a 1/4 pulgadas)

**Templado:** 3,2 a 6,4 mm (1/8 a 1/4 pulgadas)

**Armado:** 6,4 mm (1/4")

**Laminado:** 3,2 a 6,4 mm (1/8 a 1/4 pulgadas)

**Dimensiones:** 80 x 108 x 43 mm (3,13 x 4,24 x 1,70 pulg.).

**Peso (sin incluir la batería):** 130 g (4,6 onzas)

**Material y color del alojamiento:** Retardante de llama ABS, blanco

## Receptores compatibles

Banda de 433 MHz: HSM2HOST4; HS2LCDRF(P)4; HS2IC-NRF(P)4; PG4920

Banda de 868 MHz: HSM2HOST8; HS2LCDRF(P)8; HS2IC-NRF(P)8; PG8920

Banda de 912-919 MHz: HSM2HOST9; HS2LCDRF(P)9; HS2ICNRF(P)9; PG9920

EEuropa: Los modelos PG4912 y PG8912 cumplen con los requisitos de RTTE - Directiva 1999/5/EC del Parlamento Europeo y del Consejo del 9 de marzo de 1999.

## PG9912/PG8912/PG4912

## Detector de quebra de vidrio PowerG sem fio 2 vías

### Funcionamento

O PGx912 é um detector de quebra de vidro 2 vías, sem fio, supervisionado que deteta a quebra de estrutura de vidro montada em uma parede. O PGx912 é protegido por um bloqueio traseiro e frontal que transmite uma mensagem de bloqueio sempre que a tampa é removida ou sempre que a base é removida da parede, com força. Um LED vermelho montado nos indicadores luminosos do transmissor PCB (apenas visível sempre que a tampa está inativa) sempre que sejam reportados eventos de bloqueio ou de alarme. O LED não acende sempre que a mensagem de supervisão está sendo transmitida.

## Configurar Dispositivo

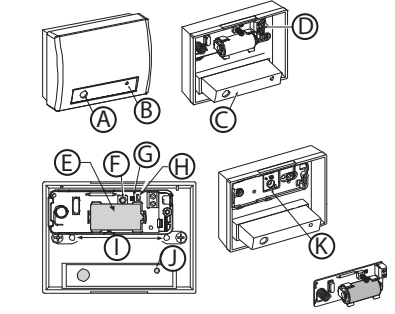
**Cuidado!** Deve ser instalada por pessoas qualificadas apenas em locais não perigosos. Risco de explosão se a bateria for substituída por um tipo incorreto. A eliminação das baterias usadas deve estar de acordo com as instruções do fabricante e conforme as regulamentações e normas locais. Baterias são apenas substituídas por pessoal qualificado. Respeite a polaridade quando instalar as baterias.

**Atenção!** A unidade PGx912 tem um comutador de bloqueio traseiro abaixo do PCB. Enquanto o PCB é assente firmemente na base, a alavanca do comutador será pressionada contra um segmento de base especial de ruptura que está livremente conectado à base. Certifique que o segmento de ruptura está fixado à parede. Se a unidade do detector for removida com força da parede, este segmento ficará separado da base, causando a abertura do comutador de bloqueio!

**Cuidado!** O comutador do bloqueio traseiro não protegerá a unidade a menos que o segmento base de ruptura esteja fixado à parede com ao menos um parafuso.

**Nota:** Para garantir um funcionamento contínuo de todo os dispositivos sem fio depois de executar uma predefinição do sistema é recomendado um carregamento global da programação de todos os dispositivos sem fio através DLS antes de padronizar o sistema. Depois de concluir a predefinição do sistema, faça o download da programação sem fio.

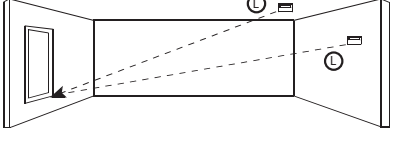
### Legenda



- A. Microfone
- B. Indicador de detecção
- C. Módulo do sensor acústico
- D. Módulo do transmissor PowerG
- E. Bateria
- F. Comutador de Bloqueamento
- G. Indicador de transmissão
- H. Botão de registro
- I. Orifícios de montagem
- J. Indicador de detecção
- K. Segmento de base de ruptura
- L. Alcance máx. de 6 m (20 pés)

### Sensor Acústico

O módulo do sensor acústico do PGx912, providência uma cobertura de 360°. A cobertura é medida a partir do sensor até ao ponto no vidro mais afastado do sensor. O sensor pode ser montado tão próximo do vidro como 1 m (3,3 pés).



Sempre que montado em parede em frente ou paredes contíguas, o alcance é 6 m (20 pés) para vidro aramado, laminado, temperado e placa. Sempre que montado em teto, o alcance é 6 m (20 pés) para vidro aramado, laminado, temperado e placa. Para vidro armadura-blindada, monte o sensor a não mais de 3,65 m (12 pés) do vidro.

### Instale a bateria

- Use uma chave de fenda para separar a tampa da base.

- Respeitando a polaridade, insira a bateria nos cliques da mesma.
- Clique no comutador do bloqueio frontal e solte-a para reiniciar o transmissor na ativação.

**Nota:** Sempre que estiver programando manualmente os dispositivos sem fio, se um dispositivo estiver funcionando durante mais de 48 horas não pode ser registrado no sistema até que o dispositivo seja bloqueado e restaurado.

**Nota:** Após restaurar um baixo problemas de bateria do sistema pode levar até 5 minutos para limpar o problema.

### Registre o dispositivo no sistema

Para o registro rápido:

- Em um teclado numérico pressione [\*] [8] [Código Instalador] [804] [000].
- Pressione e mantenha pressionado o botão de registro do dispositivo até que os indicadores LED fiquem fixos e depois solte o botão de registro enquanto o LED continua aceso. Então, aparecerá no teclado numérico uma mensagem de confirmação.
- Pressione a tecla [\*] para confirmar ID.
- Digite [# de zona de 3 dígitos].
- Digite [# tipo de zona de 3 dígitos].
- Insira [# partição de 1 dígito] para todas as partições desejadas e pressione [#]. Se estiver usando um teclado numérico LCD, pode se deslocar para as partições desejadas e pressionar [\*] para comutar a partição.
- Em um teclado numérico LCD, insira a etiqueta usando a biblioteca do Word.

Para pré-registrar:

- Configure remotamente o número de ID exclusivo no sistema. Para mais informação, consulte o manual do HSM2HOST.
- Quando no local, pressione o botão de registro do dispositivo.

**Nota:** Se o dispositivo sem fio estiver conectado durante mais de 48 horas sem ser registrado, bloqueie e restaure o dispositivo para registrá-lo.

### Teste de Colocação

Antes de montar permanentemente qualquer dispositivo sem fio, monte temporariamente o dispositivo e realize um teste de Colocação.

- Bloqueie o dispositivo removendo a tampa.
- Restaur e volte a bloquear o dispositivo.
- Verifique se o LED vermelho pisca, indicando detecção. Depois de 2 segundos o LED pisca 3 vezes. A tabela seguinte indica a intensidade do sinal.

| Resposta LED          | Intensidade do sinal |
|-----------------------|----------------------|
| LED verde piscando    | FORTE                |
| LED laranja piscando  | BOM                  |
| LED Vermelho piscando | FRACO                |
| Não pisca             | Nenhuma comunicação  |

**IMPORTANTE!** Apenas são aceitáveis as intensidades de sinal BOM ou FORTE. Se receber um sinal FRACO do dispositivo, volte a colocar o dispositivo e volte a testar até ser recebido um sinal BOM ou FORTE.

**Nota:** Para instalações UL/ULC, apenas são aceitáveis os níveis de sinal FORTE. Depois da instalação, verifique a funcionalidade em conjunto com os receptores compatíveis HSM2HOST9, HS2LCDRF(P)9, HS2ICNRF(P)9 e PG9920.

**Nota:** Para instruções detalhadas de Colocação, consulte o Guia de Referência do painel de controle.

### Montar o dispositivo

Para uma detecção confiável, evite instalar em:

- Espaços com cortinas de amortecimento de som, isolantes e alinhdas.
- Espaços com persianas de janela em madeira fechadas.
- Espaços em que o ruído branco, como o ruído do uso de compressor está presente (uma explosão de ar comprimido pode causar um alarme falso).
- Evite espaços menores que 3 x 3 m ( 10 x 10 pés).
- Câmeras de ar em vidro e zonas de vestíbulo em vidro.
- Cocinhas ruidosas.
- Garagens de estacionamento.
- Pequenas dependências.
- Escadarias.
- Banheiros pequenos.
- Espaços muito úmidos (o PGx912 não é hermeticamente vedado. Uma umidade excessiva pode causar um curto circuito na placa e acionar alarmes falsos).

- Outras salas de estar pequenas mas acusticamente ativas cujas dimensões do vidro protegido são menores que as dimensões indicadas nas Especificações.
- Sempre que seja necessário detecção de quebra de vidro 24 horas é recomendado uma zona interior ou exterior e usar os sensores de impacto nas janelas ou nas estruturas das janelas.
- Instale o sensor a pelo menos 1,2 m (4 pés) afastado de fontes de ruído (televisões, alto-falantes, pias, portas, etc.).
- Localize o sensor em uma linha direta de visão de todas as janelas protegidas.
- Os sensores de quebra de vidro devem ser apoiados por proteção interior.
- O teto e paredes contíguas (laterais) são boas localizações para o sensor. Coloque um sensor montado no teto 2 - 3 m (6 - 10 pés) afastado do vidro protegido.

Montar o dispositivo:

1. Remova o PCB da base. Remova a embalagem da caixa.
2. Usando os parafusos e as plugues fornecidas, prenda firmemente o dispositivo à superfície de montagem.

## Configuração

Para entrar na seção de configuração sem fio, insira [804]#[ de zona de 3 dígitos].

## Comutações do Dispositivo

[001][04] **Supervisão - Predefinido [S]**

Ativa a supervisão.

### Modo Teste

O PGx912 detecta o dano de vidro emoldurado montado em uma parede exterior. Testando o sensor com vidro não emoldurado, garrafas partidas, etc., pode não acionar o sensor. O sensor tipicamente não aciona se um vidro quebrar no meio da sala - é improvável que um assaltante parta um vidro no meio de uma sala, portanto essas "quebras" são consideradas alarmes falsos. A Pattern Recognition Technology™ do PGx912 ignora a maioria dos sons de alarme falso, incluindo dispositivos de teste de quebra de vidros. De maneira a testar o PGx912, é usado um modo de teste. Com o sensor em modo teste, o processamento da matriz de quebra de vidros nas frequências mais alta e mais baixa é desativado. O PGx912 é então sensível apenas a frequências de médio alcance que o dispositivo de teste portátil Sentrol 5709C reproduz. São as frequências de médio alcance que determinam a cobertura do sensor.

No modo normal o LED de detecção pisca ligeiramente depois de receber um som elevado, sempre que em modo normal, o PGx912 não acionará para junto do dispositivo de teste, a menos que este seja colocado sinal do sensor.

**Nota:** Cada vez que o sensor aciona um alarme, entra também durante um minuto no modo TESTE.

### Colocar o Sensor no Modo Teste

Use o Sentrol 5709C ou o dispositivo de teste portátil Intellisense FG701 para mudar o sensor para o modo teste. Defina o dispositivo de teste para vidro temperado, mantenha o alto-falante do dispositivo de teste diretamente no topo do sensor e ative o dispositivo de teste. O sensor produzirá um alarme, depois entrará no modo teste durante um minuto. Sempre que em modo teste o LED no sensor piscará continuamente. Prolongue a sessão de teste disparando o dispositivo de teste para o sensor pelo menos uma vez em um minuto.

### Testar o Sensor

O dispositivo de teste tem uma definição diferente para cada tipo de vidro. Deve ser sempre definido para vidro temperado ou laminado (ambos são corretos e têm o mesmo alcance) a menos que esteja seguro que todo o vidro protegido seja um vidro placa.

1. Mantendo o dispositivo de teste junto da superfície do vidro, aponte o dispositivo de teste para o PGx912 e pressione o botão de teste. Se existirem cortinas ou persianas, teste com o dispositivo de teste portátil por trás das cortinas ou persianas fechadas (não instale o sensor onde são usadas cortinas alinhadas ou pesadas). Se o sensor estiver montado na mesma parede, aponte o dispositivo de teste para a parede em frente.
2. Quando o LED no sensor ficar momentaneamente fixo enquanto o dispositivo de teste está sendo acionado, o vidro está dentro do limite de detecção.
3. Se o LED não ficar fixo, mas continua piscando como antes, reposicione o sensor para mais próximo das janelas

protegidas e volte a testar. Isso pode exigir sensores suplementares de maneira a obter a cobertura adequada. É muito raro que o sensor não se ative dentro de seu alcance especificado de cobertura. Verifique de novo a intensidade adequada da bateria no dispositivo de teste portátil. Uma nova bateria provavelmente restaurará o alcance.

**Nota:** O sensor mudará automaticamente do modo teste para o modo normal aproximadamente um minuto depois do último sinal recebido do dispositivo de teste portátil.

**Importante!** A acústica da sala pode aumentar artificialmente o alcance do sensor de quebra de vidros. O alcance especificado do PGx912 foi estabelecido para o pior cenário. Enquanto o sensor tem probabilidade de funcionar a um alcance adicional, pode perder uma quebra de "saída mínima", ou a acústica do espaço pode ser alterada no futuro, restaurando a cobertura do sensor de novo para o alcance normal de 6 m (20 pés). Não exceda o alcance especificado do sensor, independentemente do que o sensor mostra.

### Teste de bater palmas

O PGx912 pode ser verificado pelo instalador ou usuário final enquanto em modo normal, simplesmente batendo as palmas muito alto por baixo do sensor. O LED piscará duas vezes, mas o sensor não acionará. Isto verifica visualmente que há alimentação no sensor, e que o microfone e a placa do circuito estão funcionando.

A ativação por bater palmas é apenas momentânea, portanto não há um efeito significativo na duração da bateria.

## Especificações

**Banda de Frequência (MHz) Europa e outras regiões:** PG4912 com classificação CE: 433 MHz; PG8912 com classificação CE: 868 MHz; PG9912 com classificação FCC/IC: 912-919 MHz

**Protocolo de Comunicação:** PowerG

**Verificação:** Assinalando em intervalos de 4 min.

**Alerta de Bloqueio:** Reportado sempre que ocorre um evento de bloqueio

**Bateria:** Bateria de lítio 3 V tipo CR-123A, GP

**Capacidade nominal da bateria:** 1,45 Ah

**Duração da bateria:** 4 anos

**Limite bateria fraca:** 2,7 V

**Verificação da bateria:** Transmissão automática dos dados do estado da bateria como parte do relatório periódico de estado

**Microfone:** Eletricidade Omni direcional

**Duração do alarme:** 4 segundos

**Imunidade RF:** 20 V/m, 1 MHz para 1000 MHz

**Limite de temperatura:** -10°C a +55°C

Dimensão recomendada do vidro

**Minimo:** 0,3 x 0,6 m (1 x 2') ou espessura maior do vidro

**Placa:** 2,4 a 6,4 mm (3/32" para 1/4")

**Temperado:** 3,2 a 6,4 mm (1/8" para 1/4")

**Aramado:** 6,4 mm (1/4")

**Laminado:** 3,2 a 6,4 mm (1/8" para 1/4")

**Dimensões:** 80 x 108 x 43 mm (3,13 x 4,24 x 0,43 pol.)

**Peso (com bateria):** 130 g (4,6 oz)

**Material e cor da caixa de proteção:** Retardante de chama ABS, branca

## Receptores Compatíveis

Faixa 433 MHz: HSM2HOST4; HS2LCDRF(P)4; HS2IC-NRF(P)4; PG4920

Faixa 868 MHz: HSM2HOST8; HS2LCDRF(P)8; HS2IC-NRF(P)8; PG8920

Faixa 912-919 MHz: HSM2HOST9; HS2LCDRF(P)9; HS2IC-NRF(P)9; PG9920

**CE** Europa: Os modelos PG4912 e PG8912 estão conforme os requisitos RTTE - Diretiva 1995/5/EC do Parlamento Europeu e do Conselho de 9 de março 1999..



Este equipamento opera em caráter secundário, isto é, não tem direito a proteção contra interferência prejudicial, mesmo de estações do mesmo tipo, e não pode causar interferência a sistemas operando em caráter primário.

### Limited Warranty

Digital Security Controls warrants that for a period of 12 months from the date of purchase, the product shall be free of defects in materials and workmanship under normal use and that in fulfillment of any breach of such warranty, Digital Security Controls shall, at its option, repair or replace the defective equipment upon return of the equipment to its repair depot. This warranty applies only to defects in parts and workmanship and not to damage incurred in shipping or handling, or damage due to causes beyond the control of Digital Security Controls such as lightning, excessive voltage, mechanical shock, water damage, or damage arising out of abuse, alteration or improper application of the equipment.

The foregoing warranty shall apply only to the original buyer, and is and shall be in lieu of any and all other warranties, whether expressed or implied and of all other obligations or liabilities on the part of Digital Security Controls. Digital Security Controls neither assumes responsibility for, nor authorizes any other person purporting to act on its behalf to modify or to change this warranty, nor to assume for it any other warranty or liability concerning this product.

In no event shall Digital Security Controls be liable for any direct, indirect or consequential damages, loss of anticipated profits, loss of time or any other losses incurred by the buyer in connection with the purchase, installation or operation or failure of this product.

**Warning: Digital Security Controls recommends that the entire system be completely tested on a regular basis. However, despite frequent testing, and due to, but not limited to, criminal tampering or electrical disruption, it is possible for this product to fail to perform as expected.**

*Important Information: Changes or modifications not expressly approved by Digital Security Controls could void the user's authority to operate this equipment.*

**IMPORTANT - READ CAREFULLY:** DSC Software purchased with or without Products and Components is copyrighted and is purchased under the following license terms:

- This End-User License Agreement ("EULA") is a legal agreement between You (the company, individual or entity who acquired the Software and any related Hardware) and Digital Security Controls, a division of Tyco Safety Products Canada Ltd. ("DSC"), the manufacturer of the integrated security systems and the developer of the software and any related products or components ("HARDWARE") which You acquired.
  - If the DSC software product ("SOFTWARE PRODUCT" or "SOFTWARE") is intended to be accompanied by HARDWARE, and is NOT accompanied by new HARDWARE, You may not use, copy or install the SOFTWARE PRODUCT. The SOFTWARE PRODUCT includes computer software, and may include associated media, printed materials, and "online" or electronic documentation.
  - Any software provided along with the SOFTWARE PRODUCT that is associated with a separate end-user license agreement is licensed to You under the terms of that license agreement.
  - By installing, copying, downloading, storing, accessing or otherwise using the SOFTWARE PRODUCT, You agree unconditionally to be bound by the terms of this EULA, even if this EULA is deemed to be a modification of any previous arrangement or contract. If You do not agree to the terms of this EULA, DSC is unwilling to license the SOFTWARE PRODUCT to You, and You have no right to use it.
- The SOFTWARE PRODUCT is protected by copyright laws and international copyright treaties, as well as other intellectual property laws and treaties. The SOFTWARE PRODUCT is licensed, not sold.

1. GRANT OF LICENSE This EULA grants You the following rights:

- (a) Software Installation and Use - For each license You acquire, You may have only one copy of the SOFTWARE PRODUCT installed.
- (b) Storage/Network Use - The SOFTWARE PRODUCT may not be installed, accessed, displayed, run, shared or used concurrently on or from different computers, including a workstation, terminal or other digital electronic device ("Device"). In other words, if You have several workstations, You will have to acquire a license for each workstation where the SOFTWARE will be used.
- (c) Backup Copy - You may make back-up copies of the SOFTWARE PRODUCT, but You may only have one copy per license installed at any given time. You may use the back-up copy solely for archival purposes. Except as expressly provided in this EULA, You may not otherwise make copies of the SOFTWARE PRODUCT, including the printed materials accompanying the SOFTWARE.

2. DESCRIPTION OF OTHER RIGHTS AND LIMITATIONS

- (a) Limitations on Reverse Engineering, Decompilation and Disassembly - You may not reverse engineer, decompile, or disassemble the SOFTWARE PRODUCT, except and only to the extent that such activity is expressly permitted by applicable law notwithstanding this limitation. You may not make any changes or modifications to the Software, without the written permission of an officer of DSC. You may not remove any proprietary notices, marks or labels from the Software Product. You shall institute reasonable measures to ensure compliance with the terms and conditions of this EULA.
- (b) Separation of Components - The SOFTWARE PRODUCT is licensed as a single product. Its component parts may not be separated for use on more than one HARDWARE unit.
- (c) Single INTEGRATED PRODUCT - If You acquired this SOFTWARE with HARDWARE, then the SOFTWARE PRODUCT is licensed with the HARDWARE as a single integrated product. In this case, the SOFTWARE PRODUCT may only be used with the HARDWARE as set forth in this EULA.
- (d) Rental - You may not rent, lease or lend the SOFTWARE PRODUCT. You may not make it available to others or post it on a server or web site.
- (e) Software Product Transfer - You may transfer all of Your rights under this EULA only as part of a permanent sale or transfer of the HARDWARE, provided You retain no copies, You transfer all of the SOFTWARE PRODUCT (including all component parts, the media and printed materials, any upgrades and this EULA), and provided the recipient agrees to the terms of this EULA. If the SOFTWARE PRODUCT is an upgrade, any transfer must also include all prior versions of the SOFTWARE PRODUCT.
- (f) Termination - Without prejudice to any other rights, DSC may terminate this EULA if You fail to comply with the terms and conditions of this EULA. In such event, You must destroy all copies of the SOFTWARE PRODUCT and all of its component parts.
- (g) Trademarks - This EULA does not grant You any rights in connection with any trademarks or service marks of DSC or its suppliers.

3. COPYRIGHT - All title and intellectual property rights in and to the SOFTWARE PRODUCT (including but not limited to any images, photographs, and text incorporated into the SOFTWARE PRODUCT), the accompanying printed materials, and any copies of the SOFTWARE PRODUCT, are owned by DSC or its suppliers. You may not copy the printed materials accompanying the SOFTWARE PRODUCT. All title and intellectual property rights in and to the content which may be accessed through use of the SOFTWARE PRODUCT are the property of the respective content owner and may be protected by applicable copyright or other intellectual property laws and treaties. This EULA grants You no rights to use such content. All rights not expressly granted under this EULA are reserved by DSC and its suppliers.

4. EXPORT RESTRICTIONS - You agree that You will not export or re-export the SOFTWARE PRODUCT to any country, person, or entity subject to Canadian export restrictions.

5. CHOICE OF LAW - This Software License Agreement is governed by the laws of the Province of Ontario, Canada.

6. ARBITRATION - All disputes arising in connection with this Agreement shall be determined by final and binding arbitration in accordance with the Arbitration Act, and the parties agree to be bound by the arbitrator's decision. The place of arbitration shall be Toronto, Canada, and the language of the arbitration shall be English.

7. LIMITED WARRANTY  
(a) NO WARRANTY - DSC PROVIDES THE SOFTWARE "AS IS" WITHOUT WARRANTY. DSC DOES NOT WARRANT THAT THE SOFTWARE WILL MEET YOUR REQUIREMENTS OR THAT OPERATION OF THE SOFTWARE WILL BE UNINTERRUPTED OR ERROR-FREE.

(b) CHANGES IN OPERATING ENVIRONMENT - DSC shall not be responsible for problems caused by changes in the operating characteristics of the HARDWARE, or for problems in the interaction of the SOFTWARE PRODUCT with non-DSC-SOFTWARE or HARDWARE PRODUCTS.

(c) LIMITATION OF LIABILITY; WARRANTY REFLECTS ALLOCATION OF RISK - IN ANY EVENT, IF ANY STATUTE IMPLIES WARRANTIES OR CONDITIONS NOT STATED IN THIS LICENSE AGREEMENT, DSC'S ENTIRE LIABILITY UNDER ANY PROVISION OF THIS LICENSE AGREEMENT SHALL BE LIMITED TO THE GREATER OF THE AMOUNT ACTUALLY PAID BY YOU TO LICENSE THE SOFTWARE PRODUCT AND FIVE CANADIAN DOLLARS (CAD\$5.00). BECAUSE SOME JURISDICTIONS DO NOT ALLOW THE EXCLUSION OR LIMITATION OF LIABILITY FOR CONSEQUENTIAL OR INCIDENTAL DAMAGES, THE ABOVE LIMITATION MAY NOT APPLY TO YOU.

(d) DISCLAIMER OF WARRANTIES - THIS WARRANTY CONTAINS THE ENTIRE WARRANTY AND SHALL BE IN LIEU OF ANY AND ALL OTHER WARRANTIES, WHETHER EXPRESSED OR IMPLIED (INCLUDING ALL IMPLIED WARRANTIES OF MERCHANTABILITY OR FITNESS FOR A PARTICULAR PURPOSE) AND OF ALL OTHER OBLIGATIONS OR LIABILITIES ON THE PART OF DSC. DSC MAKES NO OTHER WARRANTIES. DSC NEITHER ASSUMES NOR AUTHORIZES ANY OTHER PERSON PURPORTING TO ACT ON ITS BEHALF TO MODIFY OR TO CHANGE THIS WARRANTY, NOR TO ASSUME FOR IT ANY OTHER WARRANTY OR LIABILITY CONCERNING THIS SOFTWARE PRODUCT.

(e) EXCLUSIVE REMEDY AND LIMITATION OF WARRANTY - UNDER NO CIRCUMSTANCES SHALL DSC BE LIABLE FOR ANY SPECIAL, INCIDENTAL, CONSEQUENTIAL OR INDIRECT DAMAGES BASED UPON BREACH OF WARRANTY, BREACH OF CONTRACT, NEGLIGENCE, STRICT LIABILITY, OR ANY OTHER LEGAL THEORY. SUCH DAMAGES INCLUDE, BUT ARE NOT LIMITED TO, LOSS OF PROFITS, LOSS OF THE SOFTWARE PRODUCT OR ANY ASSOCIATED EQUIPMENT, COST OF CAPITAL, COST OF SUBSTITUTE OR REPLACEMENT EQUIPMENT, FACILITIES OR SERVICES, DOWN TIME, PURCHASERS TIME, THE CLAIMS OF THIRD PARTIES, INCLUDING CUSTOMERS, AND INJURY TO PROPERTY.

WARNING: DSC recommends that the entire system be completely tested on a regular basis. However, despite frequent testing, and due to, but not limited to, criminal tampering or electrical disruption, it is possible for this SOFTWARE PRODUCT to fail to perform as expected.

Always ensure you obtain the latest version of the User Guide. Updated versions of this User Guide are available by contacting your distributor.

© 2014 Tyco International Ltd. and its Respective Companies. All Rights Reserved. The trademarks, logos, and service marks displayed on this document are registered in the United States [or other countries]. Any misuse of the trademarks is strictly prohibited and Tyco International Ltd. will aggressively enforce its intellectual property rights to the fullest extent of the law, including pursuit of criminal prosecution wherever necessary. All trademarks not owned by Tyco International Ltd. are the property of their respective owners, and are used with permission or allowed under applicable laws. Product offerings and specifications are subject to change without notice. Actual products may vary from photos. Not all products include all features. Availability varies by region; contact your sales representative.

Toronto, Canada • www.dsc.com • Printed in Israel • Tech. Support: 1-800-387-3630 (Canada, US), 905-760-3000

### Garantie limitée

La société Digital Security Controls garantit le produit contre toutes déficiosités matérielles et d'assemblage dans des conditions normales d'utilisation pendant une période de douze mois à partir de la date d'achat. Dans l'application de cette garantie, elle s'engage, à son choix, à réparer ou à remplacer le matériel défectueux dès son retour à un dépôt de réparation. Cette garantie ne s'applique qu'aux pièces défectueuses et à la main-d'oeuvre, et non aux dommages causés lors de l'expédition ou de la manipulations ou aux dommages dont les causes sont indépendantes de la volonté de la société Digital Security Controls Liée tel que la foudre, le survoltage, les chocs mécaniques, les dégâts causés par l'eau ou les dommages découlant d'un abus, d'une modification ou d'une mauvaise utilisation du matériel.

La présente garantie n'est valide que pour l'acheteur original et remplace toute autre garantie, qu'elle soit explicite ou tacite, et toutes autres obligations ou responsabilités de la société Digital Security Controls Liée. La présente garantie est complète en soi. La société

Digital Security Controls Ltée n'autorise personne prétendant agir en son nom à modifier la présente garantie, ni à assumer en son nom toute autre garantie ou responsabilité relative au présent produit.

La société Digital Security Controls Ltée ne pourra en aucun cas être tenue responsable de tout dommage direct ou indirect, de la perte de profits prévus, de la perte de temps ou de toute autre perte subie par l'acheteur en rapport avec l'achat, l'installation et le fonctionnement ou la défaillance du présent produit.

Mise en garde La société Digital Security Controls Ltée vous recommande de soumettre votre système à un essai complet. Toutefois, même si vous faites régulièrement des essais, il peut arriver que le fonctionnement du produit ne soit pas conforme aux spécifications en raison notamment, et sans exclure d'autres possibilités, d'intervention criminelle ou de panne de courant.

**IMPORTANT – À LIRE ATTENTIVEMENT :** Le logiciel DSC acheté avec ou sans Produits et Composants est protégé par le droit d'auteur et il est acheté conformément aux modalités du contrat de licence :

Ce Contrat de licence d'utilisation (« CLU ») est une entente légale entre Vous (l'entreprise, l'individu ou l'entité qui a acheté le Logiciel et tout Matériel connexe) et Digital Security Controls, une filiale de Tyco Safety Products Canada Ltd. (« DSC »), le fabricant des systèmes de sécurité intégrés et le développeur du logiciel et de tout produit ou composant connexe (MATÉRIELS) que Vous avez achetés.

Si le produit logiciel DSC (« PRODUIT LOGICIEL » ou « LOGICIEL ») a été conçu pour être accompagné par du MATÉRIEL et s'il N'est PAS accompagné par un nouveau MATÉRIEL, Vous n'avez pas le droit d'utiliser, de copier ou d'installer le PRODUIT LOGICIEL. Le PRODUIT LOGICIEL comprend le logiciel, et peut aussi comprendre des médias connexes, des matériels imprimés et de la documentation « en ligne » ou électronique.

Tout logiciel fourni avec le PRODUIT LOGICIEL qui est lié à un contrat de licence d'utilisation séparé Vous donne des droits conformément aux modalités de ce contrat de licence.

En installant, copiant, téléchargeant, sauvegardant, accédant ou utilisant d'une manière quelconque le PRODUIT LOGICIEL, Vous acceptez inconditionnellement d'être lié par les modalités de ce CLU, même si ce CLU est considéré une modification de tout accord ou contrat antérieur. Si vous n'acceptez pas les modalités du CLU, DSC refuse de Vous octroyer une licence d'utilisation du PRODUIT LOGICIEL et Vous n'avez pas le droit de l'utiliser.

LICENCES DU PRODUIT LOGICIEL

Le PRODUIT LOGICIEL est protégé par des lois sur le droit d'auteur et des traités internationaux sur le droit d'auteur, ainsi que par d'autres lois et traités de la propriété intellectuelle. Le droit d'utilisation du PRODUIT LOGICIEL est octroyé, pas vendu.

1. OCTROI DE LA LICENCE. Ce CLU vous donne des droits suivants :

(a) Installation et utilisation du logiciel - Pour chacune des licences acquises, Vous n'avez le droit d'installer qu'un seul exemplaire du PRODUIT LOGICIEL.

(b) Utilisation de stockage en réseau - Le PRODUIT LOGICIEL ne peut pas être installé, accédé, affiché, exécuté, partagé ou utilisé simultanément sur des ordinateurs différents, notamment une station de travail, un terminal ou autre dispositif électronique numérique (« Dispositif »). Autrement dit, si Vous avez plusieurs postes de travail, Vous devez acheter une licence pour chaque poste de travail où le LOGICIEL sera utilisé.

(c) Copie de sauvegarde - Vous pouvez faire des copies de sauvegarde PRODUIT LOGICIEL, mais vous ne pouvez avoir qu'une seule copie installée par licence à tout moment. Vous pouvez utiliser une copie de sauvegarde. Hormis ce qui est expressément prévu dans ce CLU, Vous n'avez pas le droit de faire des copies du PRODUIT LOGICIEL, les matériels imprimés accompagnant le LOGICIEL compris.

2. DESCRIPTIONS D'AUTRES DROITS ET LIMITES

(a) Limites relatives à la rétro-ingénierie, à la décompilation et au désassemblage — Vous n'avez pas le droit de désosser, décompiler ou désassembler le PRODUIT LOGICIEL, sauf et seulement dans la mesure dans laquelle une telle activité est explicitement permise par la loi en vigueur, sans égard à ces limites. Vous n'avez pas le droit de faire des changements ou des modifications, quels qu'ils soient, sans la permission écrite d'un dirigeant de DSC. Vous n'avez pas le droit de retirer les notices, les marques ou les étiquettes privatives du Produit Logiciel. Vous devez instituer des mesures raisonnables pour assurer la conformité aux modalités de ce CLU.

(b) Séparation des Composants - Le PRODUIT LOGICIEL est fourni sous licence en tant que produit unique. Ses parties composantes ne peuvent pas être séparées pour être utilisée sur plus d'un MATÉRIEL.

(c) PRODUIT INTÉGRÉ unique - Si vous avez acquis ce LOGICIEL avec du MATÉRIEL, le PRODUIT LOGICIEL est autorisé à être utilisé avec le MA TÉRIEL en tant que produit intégré unique. Dans ce cas, le PRODUIT LOGICIEL ne peut être utilisé qu'avec le MATÉRIEL conformément à ce CLU.

(d) Location - Vous n'avez pas le droit de louer, de mettre en bail ou de prêter le PRODUIT LOGICIEL. Vous n'avez pas le droit de le mettre à la disposition d'autres personnes ou de l'afficher sur un serveur ou un site Web.

(e) Transfert du Produit Logiciel - Vous pouvez transférer tous vos droits de ce CLU uniquement dans le cadre de la vente ou du transfert permanent du MATÉRIEL, à condition que Vous ne conserviez aucune copie, que Vous transfériez tout le PRODUIT LOGICIEL (tous les composants, les matériels imprimés et autres, toutes les mises à niveau et ce CLU), et à condition que le récipiendaire accepte les conditions de ce CLU. Si le PRODUIT LOGICIEL est une mise à niveau, tout transfert doit également inclure toutes les versions antérieures du PRODUIT LOGICIEL.

(f) Résiliation - Sous réserve de tous ses autres droits, DSC se réserve le droit de résilier ce CLU si Vous ne respectez pas les modalités de ce CLU. Dans ce cas, Vous devez détruire toutes les copies du PRODUIT LOGICIEL et toutes ses parties composantes.

(g) Marques de commerce - Ce CLU ne Vous donne aucun droit relativement aux marques de commerce ou aux marques de service de DSC ou de ses fournisseurs.

3. DROIT D'AUTEUR

Tous les titres et droits de propriété intellectuelle associés au PRODUIT LOGICIEL (notamment mais pas seulement aux images, photographies et textes incorporés dans le PRODUIT LOGICIEL), les documents imprimés joints et tout exemplaire du PRODUIT LOGICIEL sont la propriété de DSC et de ses fournisseurs. Vous n'avez pas le droit de faire des copies des documents imprimés accompagnant le PRODUIT LOGICIEL. Tous les titres et droits de propriété intellectuelle associés au contenu qui peut être accédé par le biais du PRODUIT LOGICIEL sont la propriété du propriétaire respectif du contenu et ils peuvent être protégés par le droit d'auteur ou autres lois et traités sur la propriété intellectuelle. Ce CLU ne Vous octroie pas le droit d'utiliser ces éléments. Tous les droits qui ne sont pas expressément octroyés par cette CLU, sont réservés par DSC et ses fournisseurs.

4. RESTRICTIONS POUR L'EXPORTATION - Vous acceptez le fait que Vous n'exporterez pas ou ne réexporterez pas le PRODUIT LOGICIEL dans tout pays, personne ou entité soumis à des restrictions canadiennes à l'exportation.

5. CHOIX DES LOIS - Ce contrat de licence d'utilisation est régi par les lois de la Province de l'Ontario, Canada.

6. ARBITRATION - Tous les conflits survenant relativement à ce contrat seront résolus par un arbitrage définitif et sans appel conformément à la Loi sur l'arbitrage, et les parties acceptent d'être liées par la décision de l'arbitre. Le lieu de l'arbitration sera Toronto, Canada, et le langage de l'arbitration sera l'anglais.

7. Garantie Restreinte

(a) PAS DE GARANTIE

DSC FOURNIT LE LOGICIEL « EN L'ÉTAT » SANS GARANTIE. DSC NE GARANTIT PAS QUE LE LOGICIEL SATISFERA VOS EXIGENCES OU QUE L'EXPLOITATION DU LOGICIEL SERA ININTERROMPUE OU SANS ERREUR.

(b) CHANGEMENTS DU CADRE D'EXPLOITATION

DSC ne sera pas responsable des problèmes provoqués par des changements dans les caractéristiques du MATÉRIEL, ou des problèmes d'interaction du PRODUIT LOGICIEL avec des LOGICIELS NON-DSC ou AUTRES MATÉRIELS.

(c) LIMITES DE RESPONSABILITÉ ; LA GARANTIE REFLÈTE L'AFFECTION DU RISQUE

DANS TOUTS LES CAS, SI UN STATUT QUELCONQUE SUPPOSE DES GARANTIES OU CONDITIONS QUI NE SONT PAS POSTULÉES DANS CE CONTRAT DE LICENCE, TOUTE LA RESPONSABILITÉ ASSUMÉE PAR DSC DANS LE CADRE D'UNE DISPOSITION QUELCONQUE DE CE CONTRAT SERA LIMITÉE AU MONTANT LE PLUS ÉLEVÉ QUE VOUS AVEZ PAYÉ POUR LE CONTRAT DE CE PRODUIT LOGICIEL ET CINQ DOLLARS CANADIENS (5 CAN \$). PARCE QUE CERTAINES JURIDICTIONS NE PERMETTENT PAS L'EXCLUSION OU LES RESTRICTIONS DE RESPONSABILITÉ POUR DOMMAGES INDIRECTS, CES RESTRICTIONS PEUVENT NE PAS S'APPLIQUER DANS VOTRE CAS.

(d) STIPULATION D'EXONÉRATION DE GARANTIES CETTE GARANTIE CONTIENT L'ENTIERE GARANTIE ET REMPLACE TOUTES LES AUTRES GARANTIES, QUELLES SOIENT EXPLICITES OU IMPLICITES (NOTAMMENT TOUTES LES GARANTIES IMPLICITES DE MARCHANDISE OU APPÉTITUDE POUR UN USAGE PARTICULIER) ET DE TOUTE AUTRE OBLIGATION OU RESPONSABILITÉ DE DSC. DSC NE FAIT AUCUNE AUTRE GARANTIE. DSC N'ASSUME PAS LA RESPONSABILITÉ ET N'AUTORISE AUCUNE AUTRE PERSONNE PRÉTENDANT AGIR EN SON NOM DE MODIFIER OU DE CHANGER CETTE GARANTIE, N'ASSUME POUR CELA

AUCUNE AUTRE GARANTIE OU RESPONSABILITÉ CONCERNANT CE PRODUIT LOGICIEL.

(e) RECOURS EXCLUSIF ET LIMITE DE GARANTIE DSC NE SERA EN AUCUN CAS RESPONSABLE DES DOMMAGES PARTICULIERS, ACCIDENTELS OU INDIRECTS BASÉS SUR UNE INOBSERVATION DE LA GARANTIE, UNE RUPTURE DE CONTRAT, UNE NÉGLIGENCE, UNE RESPONSABILITÉ STRICTE OU TOUTE AUTRE THÉORIE JURIDIQUE. DE TELS DOMMAGES INCLUENT NOTAMMENT, MAIS PAS EXCLUSIVEMENT, UNE PERTE DE PROFITS, UN ENDOMMAGEMENT DU PRODUIT LOGICIEL OU TOUT AUTRE ÉQUIPEMENT ASSOCIÉ, LE COÛT DU CAPITAL, LE COÛT DE REMPLACEMENT OU DE SUBSTITUTION, DES INSTALLATIONS OU SERVICES, UN TEMPS D'ARRÊT, LE TEMPS DE L'ACHETEUR, LES REVENDICATIONS DE TIERS, Y COMPRIS LES CLIENTS ET LES DOMMAGES À LA PROPRIÉTÉ.

MISE EN GARDE : DSC recommande de tester complètement l'ensemble du système régulièrement. Toutefois, malgré des essais réguliers, il peut arriver que le fonctionnement du PRODUIT LOGICIEL ne soit pas conforme aux attentes en raison notamment, mais pas exclusivement, d'interventions criminelles ou de pannes de courant.

© 2014 Tyco International Ltd. et ses sociétés respectives. Tous droits réservés

Les marques de commerce, logos et marques de service qui apparaissent sur ce document sont enregistrés aux États-Unis [ou dans d'autres pays]. Tout usage inapproprié des marques de commerce est strictement interdit; Tyco International Ltd. entend défendre vivement ses droits de propriété intellectuelle avec toute la rigueur que permet la loi et intertera des poursuites criminelles si nécessaire. Toutes les marques de commerce que ne possède pas Tyco International Ltd. appartiennent à leurs propriétaires respectifs et sont utilisées avec leur permission ou dans le respect des lois en vigueur. Les produits offerts et leurs spécifications peuvent changer sans préavis. Il est possible que les produits diffèrent des images qui les accompagnent. Tous les produits n'offrent pas toutes les caractéristiques. La disponibilité varie selon les régions; communiquez avec votre représentant local.

Toronto, Canada • www.dsc.com • Imprimé au Israël • Assistance technique : 1-800-387-3630 (Canada, US), 905-760-3000

**Garantie Limitada**

Digital Security Controls Ltd. garantiza que por un periodo de 12 meses desde la fecha de adquisición, el producto estará libre de defectos en materiales y mano de obra bajo condiciones de uso normal y que, en cumplimiento de cualquier violación de dicha garantía, Digital Security Controls Ltd., podrá, a su opción, reparar o reemplazar el equipo defectuoso al recibio del equipo en su local de servicio. Esta garantía se aplica solamente a defectos en componentes y mano de obra y no a los daños que puedan haberse presentado durante el transporte y manipulación o a daños debidos a causas fuera del control de Digital Security Controls Ltd. tales como rayos, voltaje excesivo, sacudidas mecánicas, daños por agua, o daños resultantes del abuso, alteración o aplicación inadecuada del equipo.

La garantía anterior se aplicará solamente al comprador original y sustituye a cualquier otra garantía, ya sea explícita o implícita, y todas las otras obligaciones y responsabilidades por parte de Digital Security Controls Ltd. Esta garantía contiene la garantía total. Digital Security Controls Ltd. no se compromete, ni autoriza a ninguna otra persona que pretenda actuar a su nombre, a modificar o cambiar esta garantía ni a asumir ninguna otra garantía o responsabilidad con respecto a este producto.

En ningún caso, Digital Security Controls Ltd. será responsable de cualquier daño o perjuicio directo, indirecto o consecuente, pérdidas de utilidades esperadas, pérdidas de tiempo o cualquier otra pérdida incurrida por el comprador con relación a la adquisición, instalación, operación o fallo de este producto.

Cualquier clase de sabotaje ya sea intencional o sin intención tales como encubrimiento, pintado o regando cualquier tipo de material en los lentes, espejos, ventanas o cualquier otra parte del sistema de detección perjudicará su correcta operación.

Advertencia: Digital Security Controls Ltd. recomienda que el sistema sea probado en su integridad con la debida regularidad. Sin embargo, a pesar de pruebas frecuentes y debido a interferencia criminal o cortes eléctricos, pero no sólo

**IMPORTANTE – LEA ATEMAMENTE:** el Software DSC comprado con o sin Productos y Componentes tiene marca registrada y es adquirido bajo los siguientes términos de licencia:

• Este Acuerdo de Licencia de Usuario Final (End User License Agreement — "EULA") es un acuerdo legal entre Usted (la compañía, individuo o entidad que ha adquirido el Software y cualquier Hardware

relacionado) y Digital Security Controls, una división de Tyco Safety Products Canada Ltd. ("DSC"), el fabricante de los sistemas de seguridad integrados y programador del software y de todos los productos o componentes relacionados ("HARDWARE") que usted ha adquirido.

• Si el producto de software DSC ("PRODUCTO DE SOFTWARE" o "SOFTWARE") necesita estar acompañado de HARDWARE y NO está acompañado de nuevo HARDWARE, usted no puede usar, copiar o instalar el PRODUCTO DE SOFTWARE. El PRODUCTO DE SOFTWARE incluye software y puede incluir medios asociados, materiales impresos y documentación "en línea" o electrónica.

• Cualquier software provisto con el PRODUCTO DE SOFTWARE que está asociado a un acuerdo de licencia de usuario final separado es licenciado a Usted bajo los términos de ese acuerdo de licencia.

• Al instalar, copiar, realizar la descarga, almacenar, acceder o, de otro modo, usar el PRODUCTO DE SOFTWARE, Usted se somete incondicionalmente a los límites de los términos de este EULA, incluso si este EULA es una modificación de cualquier acuerdo o contrato previo. Si no está de acuerdo con los términos de este EULA, DSC no podrá licenciarle el PRODUCTO DE SOFTWARE y Usted no tendrá el derecho de usarlo.

LICENCIA DE PRODUCTO DE SOFTWARE

El PRODUCTO DE SOFTWARE está protegido por leyes de derecho de autor y acuerdos de derecho de autor, así como otros tratados y leyes de propiedad intelectual. El PRODUCTO DE SOFTWARE es licenciado, no vendido.

1. CONCESIÓN DE LICENCIA. Este EULA le concede los siguientes derechos:

(a) Instalación y uso del software - Para cada licencia que Usted adquiere, Usted puede instalar tan sólo una copia del PRODUCTO DE SOFTWARE.

(b) Almacenamiento/uso en red - El PRODUCTO DE SOFTWARE no puede ser instalado, accedido, mostrado, ejecutado, compartido o usado al mismo tiempo desde diferentes ordenadores, incluyendo una estación de trabajo, terminal u otro dispositivo electrónico ("Dispositivo"). En otras palabras, si Usted tiene varias estaciones de trabajo, Usted tendrá que adquirir una licencia para cada estación de trabajo donde usará el SOFTWARE.

(c) Copia de seguridad - Usted puede tener copias de seguridad del PRODUCTO DE SOFTWARE, pero sólo puede tener una copia por licencia instalada en un momento determinado. Usted puede usar la copia de seguridad solamente para propósitos de archivo. Excepto del modo en que está expresamente previsto en este EULA, Usted no puede hacer copias del PRODUCTO DE SOFTWARE de otro modo, incluyendo los materiales impresos que acompañan al SOFTWARE.

2. DESCRIPCIÓN DE OTROS DERECHOS Y LIMITACIONES.

(a) Limitaciones en Ingeniería Reversa, Descompilación y Desmontado - Usted no puede realizar ingeniería reversa, descompilar o desmontar el PRODUCTO DE SOFTWARE, excepto y solamente en la medida en que dicha actividad está expresamente permitida por la ley aplicable, no obstante esta limitación. Usted no puede realizar cambios ni modificaciones al Software, sin el permiso escrito de un oficial de DSC. Usted no puede eliminar avisos de propiedad, marcas o etiquetas del Producto de Software. Usted debería instituir medidas razonables que aseguren el cumplimiento de los términos y condiciones de este EULA.

(b) Separación de los Componentes - El PRODUCTO DE SOFTWARE se licencia como un producto único. Sus partes componentes no pueden ser separadas para el uso en más de una unidad de HARDWARE.

(c) Producto ÚNICO INTEGRADO - Si usted adquirió este SOFTWARE con HARDWARE, entonces el PRODUCTO DE SOFTWARE está licenciado con el HARDWARE como un producto único integrado. En este caso, el PRODUCTO DE SOFTWARE puede ser usado solamente con el HARDWARE, tal y como se establece más adelante en este EULA.

(d) Alquiler - Usted no puede alquilar, prestar o arrendar el PRODUCTO DE SOFTWARE. No puede disponibilizarlo a terceros ni colgarlo en un servidor o una página web.

(e) Transferencia de Producto de Software - Usted puede transferir todos sus derechos bajo este EULA sólo como parte de una venta permanente o transferencia del HARDWARE, desde que Usted no retenga copias y transfiera todo el PRODUCTO DE SOFTWARE (incluyendo todas las partes componentes, los materiales impresos y mediáticos y cualquier actualización y este EULA) y desde que el receptor esté conforme con los términos de este EULA. Si el PRODUCTO DE SOFTWARE es una actualización, cualquier transferencia debe incluir también todas las versiones previas del PRODUCTO DE SOFTWARE.

(f) Término - Sin perjuicio de cualesquiera otros derechos, DSC puede terminar este EULA si Usted negligencia el cumplimiento de los términos y condiciones de este EULA. En tal caso, usted debe destruir

todas las copias del PRODUCTO DE SOFTWARE y todas sus partes componentes.

(g) Marcas registradas - Este EULA no le concede ningún derecho conectado con ninguna de las marcas registradas de DSC o de sus proveedores.

3. DERECHOS DE AUTOR.

Todos los derechos de título y propiedad intelectual en este y relativos a este PRODUCTO DE SOFTWARE (incluyendo, pero no limitándose a todas las imágenes, fotografías y textos incorporados al PRODUCTO DE SOFTWARE), los materiales impresos que acompañan, y todas las copias del PRODUCTO DE SOFTWARE, son propiedad de DSC o de sus proveedores. Usted no puede copiar los materiales impresos que acompañan al PRODUCTO DE SOFTWARE. Todos los títulos y derechos de propiedad intelectual en y relativos al contenido que pueden ser accedidos a través del uso del PRODUCTO DE SOFTWARE son de propiedad de su respectivo propietario de contenido y pueden estar protegidos por derechos de autor u otros tratados y leyes de propiedad intelectual. Este EULA no le concede ningún derecho de usar tal contenido. Todos los derechos no expresamente concedidos por este EULA están reservados a DSC y sus proveedores.

4. RESTRICCIONES DE EXPORTACIÓN

Usted se compromete a no exportar o reexportar el PRODUCTO DE SOFTWARE a ningún país, persona o entidad sujeta a las restricciones de exportación de Canadá.

5. ELECCIÓN DE LEY: Este Acuerdo de Acuerdo de Licencia de Software se rige por las leyes de la Provincia de Ontario, Canadá.

6. ARBITRAJE

Todas las disputas que surjan con relación a este Acuerdo estarán determinadas por medio del arbitraje final y vinculante, de acuerdo con el Arbitration Act, y las partes acuerdan someterse a la decisión del árbitro. El lugar de arbitraje será Toronto, Canadá, y la lengua de arbitraje será el inglés.

7. GARANTÍA LIMITADA

(a) SIN GARANTÍA

DSC PROVEE EL SOFTWARE "TAL COMO ES", SIN GARANTÍA. DSC NO GARANTIZA QUE EL SOFTWARE SATISFARÁ SUS NECESIDADES O QUE TAL OPERACIÓN DEL SOFTWARE SERÁ ININTERRUPTA O LIBRE DE ERRORES.

(b) CAMBIOS EN EL ENTORNO OPERATIVO

DSC no se responsabilizará de problemas causados por cambios en las características operativas del HARDWARE, o de problemas en la interacción del PRODUCTO DE SOFTWARE con SOFTWARE que no sea de DSC o con PRODUCTOS DE HARDWARE.

(c) LIMITACIÓN DE RESPONSABILIDAD, CUOTA DE RIESGO DE LA GARANTÍA

EN CUALQUIER CASO, SI ALGUNA LEY IMPLICA GARANTÍAS O CONDICIONES NO ESTABLECIDAS EN ESTE ACUERDO DE LICENCIA, TODA LA RESPONSABILIDAD DE DSC BAJO CUALQUIER DISPOSICIÓN DE ESTE ACUERDO DE LICENCIA SE LIMITARÁ A LA MAYOR CANTIDAD YA PAGADA POR USTED PARA LICENCIAR EL PRODUCTO DE SOFTWARE Y CINCO DÓLARES CANADIENSES (CAD\$5.00). DEBIDO A QUE ALGUNAS JURISDICIONES NO ACEPTAN LA EXCLUSIÓN O LIMITACIÓN DE LA RESPONSABILIDAD PARA DAÑOS CONSECUTENTES O INCIDENTALES, LAS LIMITACIONES CITADAS PUEDEN NO APLICARSE A USTED.

(d) EXENCIÓN DE LAS GARANTÍAS

ESTA GARANTÍA CONTIENE LA GARANTÍA COMPLETA Y ES VÁLIDA, EN LUGAR DE CUALQUIER OTRA GARANTÍA, YA EXPRESA O IMPLÍCITA (INCLUYENDO TODAS LAS GARANTÍAS IMPLÍCITAS DE MERCANTIBILIDAD O APTITUD PARA UN PROPOSITO DETERMINADO) Y DE TODAS LAS OBLIGACIONES O RESPONSABILIDADES POR PARTE DE DSC. DSC NO CONCEDE OTRAS GARANTÍAS. DSC TAMPOCO ASUME NI AUTORIZA A NINGUNA OTRA PERSONA QUE PRETENDA ACTUAR EN SU NOMBRE PARA MODIFICAR O CAMBIAR ESTA GARANTÍA NI PARA ASUMIR PARA ELLA NINGUNA OTRA GARANTÍA O RESPONSABILIDAD RELATIVA A ESTE PRODUCTO DE SOFTWARE.

(e) REPARACIÓN EXCLUSIVA Y LIMITACIÓN DE GARANTÍA BAJO NINGUNA CIRCUNSTANCIA DSC SERÁ RESPONSABLE DE CUALQUIER DAÑO ESPECIAL, IMPREVISTO O CONSECUENTE O DAÑOS INDIRECTOS BASADOS EN INFRACCIÓN DE LA GARANTÍA, INFRACCIÓN DEL CONTRATO, NEGLIGENCIA, RESPONSABILIDAD ESTRICTA O CUALQUIER OTRA TEORÍA LEGAL. TALES DAÑOS INCLUYEN, PERO NO SE LIMITAN, A PÉRDIDAS DE BENEFICIOS, PÉRDIDA DEL PRODUCTO DE SOFTWARE O CUALQUIER EQUIPO ASOCIADO, COSTE DE CAPITAL, COSTE DE SUSTITUCIÓN O REEMPLAZO DE EQUIPO, INSTALACIONES O SERVICIOS, DOWN TIME, TIEMPO DEL

COMPRADOR, REIVINDICACIONES DE TERCEROS, INCLUYENDO CLIENTES, Y DAÑOS A LA PROPIEDAD. ADVERTENCIA: DSC recomienda que se pruebe todo el sistema completamente de modo regular. Sin embargo, a pesar de las pruebas frecuentes, y debido a ellas, pero no limitado a las mismas, intento criminal de forzarlo o interrupción eléctrica, es posible que este PRODUCTO DE SOFTWARE falle con relación al desempeño esperado.

© 2014 Tyco International Ltd. Y sus respectivas Compañías. Todos los Derechos Reservados

Las marcas comerciales, logotipos y marcas de servicio exhibidos en este documento son registrados en Estados Unidos [u otros países]. Cualquier mal uso de las marcas comerciales está estrictamente prohibida y Tyco International Ltd. Reforzará agresivamente sus derechos sobre la propiedad intelectual hasta el límite legal, incluyendo la apertura de proceso criminal siempre que sea necesario. Todas las marcas comerciales no adquiridas por Tyco International Ltd. son de propiedad de sus respectivos propietarios y son utilizadas con el permiso o permitidas bajo las leyes aplicables. Las ofertas de productos y especificaciones están sujetas a alteración sin preaviso. Los productos reales pueden ser diferentes de las fotos exhibidas. No todos los productos incluyen todas las funciones. La disponibilidad varía por región; contáctese con su representante de ventas.

Toronto, Canada • www.dsc.com • Impreso en Israel • Asist. técnica: 1-800-387-3630 (Canadá, EE.UU.), 905-760-3036

#### Garantía limitada

A Digital Security Controls garante que, durante un periodo de 12 meses a partir de la data de compra, o produto está isento de defeitos de material e de fabrico sob utilização normal e que, no cumprimento de eventuais falhas abrangidas por garantia, a Digital Security Controls reparará ou substituirá, conforme a mesma entender, o equipamento defeituoso após a devolução deste ao seu estopado de reparações. Esta garantia abrange apenas defeitos em peças e de fabrico e não abrange danos ocorridos durante o envio ou manuseio, ou danos causados por factos para além do controlo da Digital Security Controls, como raios, voltagem excessiva, choque mecânico, danos causados por água ou danos resultantes de abuso, alteração ou aplicação incorrecta do equipamento.

A garantia precedente aplica-se apenas ao comprador original, sobrepondo-se a todas e quaisquer outras garantias explícitas ou implícitas, e a todas e quaisquer outras obrigações e responsabilidades por parte da Digital Security Controls. A Digital Security Controls não assume qualquer responsabilidade por, nem autoriza nenhuma pessoa que afirme representá-la a modificar ou alterar esta garantia, nem a assumir qualquer outra garantia ou responsabilidade relativa a este produto.

Em circunstância alguma será a Digital Security Controls responsável por quaisquer danos directos, indirectos ou consecutivos, perda de lucros previstos, perda de tempo ou quaisquer outras perdas incorridas pelo comprador relacionadas com a compra, instalação, operação ou falha deste produto.

Aviso: A Digital Security Controls recomenda que todo o sistema seja testado de forma integral periodicamente. No entanto, apesar de testes frequentes, é possível que este produto não funcione como esperado devido à, mas não limitado à, adulteração criminosa ou à interrupção de electricidade.

Informações importantes: Alterações ou modificações não expressamente aprovadas pela Digital Security Controls podem destituir o utilizador de autoridade para utilizar este equipamento.

**IMPORTANTE LEIA COM ATENÇÃO:** O software DSC, adquirido com ou sem Produtos e Componentes, respeita leis de direitos de autor e é comprado com a aceitação dos seguintes termos de licenciamento:

- O Contrato de Licença de Utilizador Final (CLUF) (End User License Agreement (“EULA”)) é um acordo legal entre V. Exa. (empresa, indivíduo ou entidade que adquire o Software ou qualquer Hardware relacionado) e a Digital Security Controls, uma divisão da Tyco Safety Products Canada Ltd. (“DSC”), o fabricante dos sistemas de segurança integrados e o programador do software e quaisquer produtos ou componentes relacionados (“HARDWARE”) que V. Exa. adquiriu.

- Se for suposto o software do produto DSC (“PROGRAMA” ou “SOFTWARE”) vir acompanhado de HARDWARE, e se verificar que NÃO vem acompanhado de novo HARDWARE, V. Exa. não poderá utilizar, copiar ou instalar o PROGRAMA. O PROGRAMA inclui o software, e poderá incluir meios associados, materiais impressos e documentação electrónica ou disponível “online”.

- Qualquer software fornecido com o PROGRAMA que esteja associado a um contrato de licença de utilizador final em separado está licenciado a V. Exa. nos termos desse mesmo contrato de licença.

- Ao instalar, copiar, descarregar, armazenar, aceder, ou outro, utilizando o PROGRAMA, V.Exa. concorda incondicionalmente em respeitar os termos deste CLUF (EULA), mesmo que o CLUF (EULA) seja considerado como uma modificação de quaisquer acordos ou contratos prévios. Se V.Exa. não concordar com os termos deste CLUF (EULA) a DSC não irá licenciar o PROGRAMA a V.Exa., e V. Exa. não terá direito à sua utilização.

#### LICENÇA DO PROGRAMA

O PROGRAMA está protegido por leis de direitos de autor e tratados internacionais de direitos de autor, bem como por outros tratados e leis de propriedade intelectual. O PROGRAMA é licenciado, não vendido.

1. CONCESSÃO DA LICENÇA. Este CLUF (EULA), concede a V.Exa. os seguintes direitos:

(a) Instalação e Uso do Software – Para cada licença que V.Exa. adquire, apenas poderá ter uma cópia do PROGRAMA instalado.

(b) Armazenamento/Usos em Rede – O PROGRAMA não pode ser instalado, accedido, apresentado, executado, partilhado ou utilizado de forma concomitante em ou a partir de diferentes computadores, incluindo estações de trabalho, terminais ou outros dispositivos electrónicos digitais (“Dispositivo”). Por outras palavras, se V.Exa. tem várias estações de trabalho, terá de adquirir uma licença para cada estação de trabalho onde o SOFTWARE vai ser utilizado.

(c) Cópia de Segurança – V.Exa. poderá efectuar cópias de segurança do PROGRAMA, mas poderá apenas ter uma cópia por cada licença instalada numa determinada altura. V. Exa. apenas poderá utilizar a cópia de segurança para efeitos de arquivo. Excepto quando expressamente mencionado neste CLUF (EULA), V. Exa. não poderá efectuar cópias do PROGRAMA, incluindo os materiais impressos que acompanham o SOFTWARE.

#### 2. DESCRIÇÃO DE OUTROS DIREITOS E LIMITAÇÕES.

(a) Limitações sobre Engenharia Inversa, Descompilação e Desmontagem – V. Exa. não poderá fazer engenharia inversa, descompilação ou desmontagem do PROGRAMA, excepção feita à actividade cuja extensão é permitida por lei aplicável, sem oposição a esta limitação. V.Exa. não poderá efectuar alterações ou modificações ao Software, sem a autorização escrita por parte de um responsável da DSC. V.Exa. não poderá remover notas de propriedade, marcas ou etiquetas do Programa. V.Exa. irá instituir medidas responsáveis para que possa garantir a conformidade com os termos e condições deste CLUF (EULA).

(b) Separação de Componentes - O PROGRAMA é licenciado como um produto único. As partes que o constituem não podem ser separadas para utilização em mais do que uma unidade de HARDWARE.

(c) PRODUTO ÚNICO INTEGRADO – Se V.Exa. adquiriu este SOFTWARE com HARDWARE, então o PROGRAMA é licenciado com o HARDWARE como um produto único integrado. Neste caso, o PROGRAMA só pode ser utilizado com o HARDWARE, como determinado neste CLUF (EULA).

(d) Aluguer – V.Exa. não poderá alugar, ceder ou emprestar o PROGRAMA. V.Exa. não poderá disponibilizá-lo a outros ou colocá-lo num servidor ou página Web.

(e) Transferência do Programa – V.Exa. poderá transferir todos os seus direitos abrangidos por este CLUF (EULA) apenas como parte de uma venda ou transferência permanente do HARDWARE, desde que V.Exa. não fique com quaisquer cópias, transfira todo o PROGRAMA (incluindo todos os componentes, meios e materiais impressos, quaisquer upgrades e este CLUF (EULA)), desde que o receptor concorde com os termos deste CLUF (EULA). Se o PROGRAMA for um upgrade, qualquer transferência deverá incluir todas as versões anteriores do PROGRAMA.

(f) Extinção – Sem prejuízo a quaisquer outros direitos, a DSC pode terminar este CLUF (EULA) se V.Exa. falhar no cumprimento dos termos e condições deste CLUF (EULA). Se tal acontecer, V.Exa. deverá destruir todas as cópias do PROGRAMA e todos os seus componentes.

(g) Marcas Registradas - Este CLUF (EULA) não concede a V.Exa. quaisquer direitos em relação a quaisquer marcas registradas ou de serviço da DSC ou seus fornecedores.

#### 3. DIREITOS DE AUTOR.

Todos os títulos e direitos de propriedade intelectual no e para o PROGRAMA (incluindo, mas não limitando, quaisquer imagens, fotografias e texto incorporado no PROGRAMA), os materiais impressos que o acompanham ou quaisquer cópias do PROGRAMA, são propriedade da DSC ou dos seus fornecedores. V.Exa. não poderá copiar os materiais impressos que acompanham o PROGRAMA. Todos os títulos e direitos de propriedade intelectual no e para o conteúdo que poderá vir a ser accedido através do uso do PROGRAMA são propriedade dos respectivos proprietários do conteúdo e poderão ser protegidos por direitos de autor aplicáveis ou outros tratados e leis de propriedade intelectual. Este CLUF (EULA) não confere a V.Exa. quaisquer direitos sobre o uso desses conteúdos. A DSC e os seus

fornecedores reservam todos os direitos não expressos ao abrigo deste CLUF (EULA).

#### 4. RESTRIÇÕES À EXPORTAÇÃO.

V.Exa. assume que não exportará ou reexportará o PROGRAMA para qualquer país, indivíduo ou entidade sujeito a restrições de exportação Canadianas.

5. LEGISLAÇÃO APLICÁVEL: Este Acordo de Licença de Software é regido pelas leis da Província de Ontário, Canada.

#### 6. ARBITRAGEM

Todos os conflitos emergentes da relação com este Acordo serão determinados por arbitragem final e mandatória ao abrigo do Arbitration Act, ficando as partes sujeitas à decisão arbitral. O local designado para a arbitragem será Toronto, no Canada, e a língua utilizada na arbitragem será o Inglês.

#### 7. LIMITES DE GARANTIA

##### (a) ISENÇÃO DE GARANTIA

A DSC FORNECE O SOFTWARE “TAL COMO ESTÁ” SEM GARANTIA. A DSC NÃO GARANTE QUE O SOFTWARE IRÁ AO ENCONTRO DOS SEUS REQUISITOS OU QUE O FUNCIONAMENTO DO SOFTWARE SEJA ININTERRUPTO OU LIVRE DE ERROS.

##### (b) ALTERAÇÕES AO AMBIENTE OPERATIVO

A DSC não se responsabiliza por problemas causados por alterações às características operativas do HARDWARE, ou por problemas na interacção do PROGRAMA com SOFTWARE ou HARDWARE não produzido pela DSC.

(c) LIMITAÇÕES DE RESPONSABILIDADE; A GARANTIA REFLECTE A ALOCAÇÃO DE RISCO

EM QUALQUER CASO, SE ALGUM ESTATUTO IMPLICAR GARANTIAS OU CONDIÇÕES NÃO MENCIONADOS NESTE ACORDO DE LICENÇA, A RESPONSABILIDADE TOTAL DA DSC NÃO SERÁ SUPERIOR AO VALOR EFECTIVAMENTE PAGO POR V.EXA. PELA LICENÇA DESTA PROGRAMA E CINCO DOLARES CANADIANOS (CAD\$5.00). PORQUE ALGUMAS JURISDIÇÕES NÃO PERMITEM A EXCLUSÃO OU LIMITAÇÃO DE RESPONSABILIDADE PARA DANOS CONSEQUENTES OU ACIDENTAIS, A LIMITAÇÃO ACIMA INDICADA PODERÁ NÃO SE APLICAR A V.EXA..

##### (d) ISENÇÃO DE GARANTIAS

ESTA GARANTIA CONTÉM A GARANTIA COMPLETA E DEVERÁ PREVALECER SOBRE TODA E QUALQUER GARANTIA, EXPRESSA OU IMPLÍCITA (INCLUINDO TODAS AS GARANTIAS DE COMERCIALIZAÇÃO OU ADAPTAÇÃO PARA UM DETERMINADO FIM) E A TODAS AS OUTRAS OBRIGAÇÕES OU RESPONSABILIDADES POR PARTE DA DSC. A DSC NÃO DÁ QUAISQUER OUTRAS GARANTIAS. A DSC NÃO ASSUME NEM AUTORIZA QUALQUER OUTRA PESSOA A AGIR EM SEU NOME NA MODIFICAÇÃO DESTA GARANTIA, NEM PARA QUE POSSA ASSUMIR POR SI (DSC) QUALQUER OUTRA GARANTIA OU RESPONSABILIDADE RELACIONADA COM ESTE PROGRAMA.

##### (e) DIREITOS EXCLUSIVOS E LIMITAÇÃO DE GARANTIA

EM NENHUMA CIRCUNSTÂNCIA SERÁ A DSC RESPONSABILIZADA POR QUAISQUER DANOS ESPECIAIS, ACIDENTAIS, CONSEQUENTES OU INDIRECTOS RESULTANTES DE FALHAS NA GARANTIA, FALHAS NO CONTRATO, NEGLIGÊNCIA, RESPONSABILIDADE OBJECTIVA, OU QUAISQUER OUTRAS TEORIAS LEGAIS. TAIS DANOS INCLUEM, MAS NÃO LIMITAM, PERDA DE LUCROS, PERDA DO PROGRAMA OU EQUIPAMENTO ASSOCIADO, CUSTO DE CAPITAL, CUSTOS COM EQUIPAMENTO DE SUBSTITUIÇÃO, INSTALAÇÕES OU SERVIÇOS, TEMPO MORTO, TEMPO DE COMPRA, EXIGÊNCIAS DE TERCEIROS, INCLUINDO CLIENTES, E PREJUÍZO SOBRE A PROPRIEDADE.

ATENÇÃO: A DSC recomenda que todo o sistema seja completamente testado numa base de regularidade. Contudo, e apesar da testagem frequente, e devido a, mas não limitando, comportamento criminoso ou falha eléctrica, é possível que este PROGRAMA possa não funcionar como é esperado.

© 2014 Tyco International Ltd. E suas respectivas Companhias. Todos os Direitos Reservados.

As marcas comerciais, logotipos e marcas de serviço exibidos neste documento são registrados nos Estados Unidos [ou outros países]. Qualquer mau uso das marcas comerciais é estrictamente proibida e a Tyco International Ltd. irá reforçar agressivamente seus direitos sobre a propriedade intelectual até o limite legal, incluindo a abertura de processo criminal sempre que necessário. Todas as marcas comerciais não adquiridas pela Tyco International Ltd. São de propriedade de seus respectivos proprietários e utilizadas com a permissão ou permitidas sob as leis aplicáveis. As ofertas de produtos e especificações estão

sujeitas a mudança sem aviso Toronto, Canada • www.dsc.com • Impreso no Israel



29008703R001