

Wireless PowerG PIR Motion Detector

PG8904P

(Applicable to Europe & Africa)



Features That Make a Difference:

- **PowerG*** robust industry leading commercial grade wireless technology
- Visible link quality LED indicator on device
- Large transmission range enabling repeater-free installations
- 15 m (49 ft) 90° coverage
- Provides pet immunity up to 38 kg (85 lbs)
- Long-life lithium batteries included
- Compatible with PowerSeries Neo systems

The power of PowerG*:

The power behind PowerSeries Neo lies in various innovative technologies, including the revolutionary PowerG, which, bundled together, provide a robust and feature-rich platform designed to reduce operational costs for dealers and provide ultimate reliability for end users.

- Multichannel, Frequency Hopping Spread Spectrum technology - to overcome frequency blocking and interference
- Adaptive Transmission Power - for battery life preservation
- High transmission ranges - for reliable communication within up to 2km/2187 yards line-of-sight
- TDMA synchronized communication technology - to prevent message collisions
- 128 bit AES encryption - high level protection against analysis tools and digital attacks



PG8904P Wireless PowerG PIR Motion Detector

The PG8904P Wireless PowerG PIR Motion Detector is a vital component of a security system, reliably identifying motion within the premises. Upon the detection of motion, the PG8904P communicates an alert to the security system. The PG8904P conveniently provides immunity from pets weighing up to 38 kg (85 lb) to reduce false alarms generated by animals within the protected area.

False Alarm Immunity

To minimize the considerable cost incurred through triggered false alarms, the PG8904P utilizes a combination of Fresnel and cylindrical optics for enhanced false alarm immunity. True Motion Recognition™ provides the ability to distinguish between the motion of an intruder and other disturbances which may cause false alarms. The PG8904P includes Target Specific Imaging™ technology which distinguishes between humans and pets weighing up to 38 kg (85 lb).

Specifications:

Dimensions:.... 94.5 x 63.5 x 53 mm (3.7 x 2.5 x 2.06 in)
Battery Life: 6 years (Typical use)
Battery Type:3V CR123A Lithium Battery
Weight (battery included): 70 g (2.5 oz)
Operating Temperature: .. -10°C to 55°C (14°F to 131°F)

Approvals:

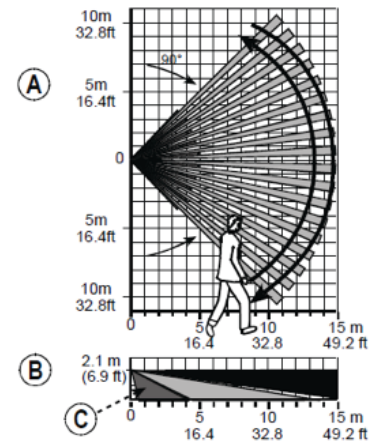
CE, EN

Please refer to www.dsc.com for the most current approval listings.

Product varies depending on country.

Compatibility:

PowerSeries Neo Systems



A. HORIZONTAL VIEW
B. VERTICAL VIEW
C. PG9904P: 2-4m (6.5 – 13ft)

PowerSeries Neo is Security Redefined

PowerSeries Neo by DSC redefines intrusion security by combining the flexibility of a modular, hardwired system with the simplicity of a wide range of wireless devices and peripherals, resulting in the most comprehensive hybrid system available in the market today.

This brand new and exceptionally flexible platform leverages the superior capabilities of PowerG – the industry’s leading-edge wireless intrusion technology. Innovative alarm verification solutions, together with an exceptionally comprehensive remote service software suite, make PowerSeries Neo the ideal first-class solution for residential and scalable commercial installations.