

AI Road Traffic Radar Pro Bullet Plus Camera



3D Radar

AF Lens

DATASHEET

NDAAs



KEY FEATURES

- ▶ Superior Image Quality (Starlight Sensor, Smart IR II Technology, 4K Video Viewing Experience and high frame rate are supported for an excellent image quality.)
- ▶ Evidence Camera Linkage (Link with any regular cameras to capture the overview snapshots as evidence.)
- ▶ LPR Smart Search (Relevant videos can be found quickly by searching for only a portion of the target suspect vehicle's features, such as vehicle type & color, plate color, plate number, speed, direction and etc.)
- ▶ Traffic Flow Statistics (The vehicle counting result based on vehicle type, vehicle make and various vehicle features can be shown intuitively in camera's live view and the camera can also generate useful report insights to aid in improved decision-making.)

Traffic Violation Detection

AI-based road traffic cameras accurately detect and alert violation events such as No-plate Vehicle Detection, Specific Lane Detection, Speeding Detection, Reverse Driving Detection, Black/White List Detection and Vehicle Event Detection based on recognized vehicle features.



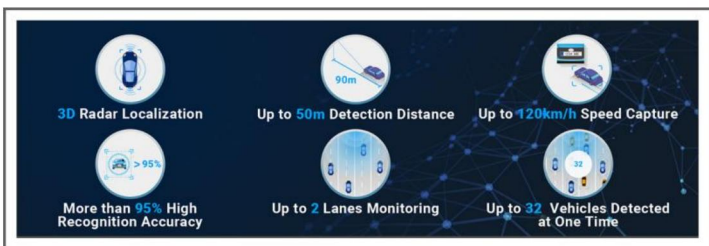
Intelligent AI-powered LPR Algorithm

The AI Road Traffic Radar Pro Bullet Plus Camera can not only recognize vehicle plates in real time, but also identify more vehicle features, like vehicle type, color, etc., generating reliable traffic insights to improve safety and mobility and ensuring the safety of public transport.



Advanced 3D Radar Technology

Verified by 3D radar and AI-powered LPR algorithm, the AI Road Traffic Radar Pro Bullet Plus Camera can precisely provide real-time information of detection distance, speed capture and flow control, greatly optimizing traffic monitoring, and ensuring the safety of public transport.



Easy Deployment and Compact Structure

As an all-in-one 3D radar camera, the radar module is directly integrated in the camera, which is easy to deploy for the users. And the well-designed integrated junction box and versatile interfaces ensure installation efficiency.



AI Road Traffic Radar Pro Bullet Plus Camera



	Name	TS4466-X4RVPE (4MP)	TS2966-X12TVPE (2MP)	TS5366-X12VPE (5MP)
Camera	Image Sensor	1/1.8" Progressive Scan CMOS		1/2.8" Progressive Scan CMOS
	Min. Illumination	Color: 0.005Lux@F1.6 B/W: 0Lux with IR on		Color: 0.008Lux@F1.6 B/W: 0Lux with IR on
	Shutter Time	1/100000s~1s		
	Day/Night Mode	Day/Night/Auto/Customize/Schedule		
	IR Wave Length	850nm (Default); 740nm (Optional)		
	Illumination Distance	Up to 50m		
	S/N	>55dB		
Lens	Lens	8~32mm, 4X Optical Zoom	5.3~64mm, 12X Optical Zoom	
	Field of View	H44°~H13°/D51°~D15°/V25°~V7°	H61°~H5°/D69°~D5°/V36°~V2°	H57°~H4°/D69°~D5°/V44°~V1°
	Mount	Φ14		
	Focus Control	Auto/Manual		
	Aperture	F1.6~F1.7	F1.6~F2.8	
	Iris Control	Auto		
Road Traffic Management	Max. Vehicle Speed	120km/h		
	Recognition Accuracy	>95%		
	Coverage	2 lanes		
	Country Region Supported	More than 80 countries and regions		
	ANPR Distance	Up to 30m	Up to 40m	
	Attributes Identification	Plate Color, Vehicle Type, Vehicle Color, Vehicle Brand, No-plate Vehicle Capture, Vehicle Direction Detection, Speed Detection		
	Smart Traffic Function	Evidence Camera Linkage, Specific Lane Management, Vehicle Classification & Counting		
	White/Black List	Up to 20,000 records inside the camera		
	LPR Smart Search	Support		
Radar	Working Frequency	60GHz, 61~62GHz		
	Capture Rate	>99% (Traffic jam >95%)		
	Lane Coverage	1~4 Lanes (Recognition ≥95% individually)		
	Tracking Target	Up to 32		
	Speed Detection Range	±5km/h~±120km/h		
	Speed Detection Accuracy	±0.36km/h		
	Distance Detection Accuracy	±0.4m		
	Angle Measurement Accuracy	±0.5°		
	Installation Height	2~7m		
Interface	Ethernet	1*RJ45 10M/100M Ethernet Port		
	Audio I/O	1/1		

AI Road Traffic Radar Pro Bullet Plus Camera



	Alarm I/O	1/1		
Video	Max. Image Resolution	2688x1520	1920x1080	2592x1944
	Primary Stream	60Hz: 60fps@(2688x1520, 2304x1296, 1920x1080, 1280x720) 50Hz: 50fps@(2688x1520, 2304x1296, 1920x1080, 1280x720)	60Hz/50Hz: 90fps@(1920x1080, 1280x960, 1280x720)	60Hz: 30fps@(2592x1944, 2592x1520), 45fps@(2048x1536), 60fps@(1920x1080, 1280x960, 1280x720) 50Hz: 25fps@(2592x1944, 2592x1520), 45fps@(2048x1536), 50fps@(1920x1080, 1280x960, 1280x720)
	Secondary Stream	60Hz: 30fps@(704x576, 640x480, 640x360, 352x288, 320x240) 50Hz: 25fps@(704x576, 640x480, 640x360, 352x288, 320x240)		
	Tertiary Stream	60Hz: 30fps@(1280x720, 704x576, 640x480, 640x360, 320x240) 50Hz: 25fps@(1280x720, 704x576, 640x480, 640x360, 320x240)	60Hz: 30fps@(1920x1080, 1280x720, 704x576, 640x480, 640x360, 352x288, 320x240) 50Hz: 25fps@(1920x1080, 1280x720, 704x576, 640x480, 640x360, 352x288, 320x240)	
	Video Compression	H.265+/H.265(HEVC)/H.264+/H.264/MJPEG		
	Video Bit Rate	16Kbps~16Mbps(CBR/VBR Adjustable)		
	Privacy Masking	Up to 8 Areas (Mask Area and Mosaic Area are optional)		
	ROI	Up to 8 areas		
	Image Setting	Brightness/Contrast/Saturation/Sharpness		
	Network	Network Storage	NAS(Support NFS, SMB/CIFS), ANR	
Protocol		IPv4/IPv6, ARP, TCP, UDP, RTCP, RTP, RTSP, RTMP, HTTP, HTTPS, DNS, DDNS, DHCP, FTP, NTP, SMTP, SNMP, UPnP, Bonjour, SIP, PPPoE, VLAN, 802.1x, QoS, IGMP, ICMP, SSL		
Audio	Audio Compression	G.711/AAC/G.722/G.726		
	Audio Sampling Rate	8/16/32/44.1/48KHz		
	Audio Bit Rate	16~256kbps		
	Two-way Audio	Support		
System	System Compatibility	API, MQTT, HTTP, TCP, ONVIF Profile G & M & S & T		
	Storage	Support microSD/SDHC/SDXC Card Local Storage, up to 1TB		
	Advanced Function	BLC, HLC, 2D DNR, 3D DNR, Defog, AWB, IP Address Filtering, AGC, Anti-flicker, Corridor Mode, Deblur, Watermark		
	SIP/VoIP Support	Yes, Voice & Video-over-IP		
	Event Trigger	Black/White List, Attributes Event, Motion Detection, Network Disconnection, External Input, Audio Alarm, etc.		
	Event Action	FTP Upload, SMTP Upload, SD Card Record, External Output, SIP Phone, HTTP Notification, etc		
General	Working Temperature	-40°C~60°C		
	Working Humidity	0~95% (Non-condensing)		

AI Road Traffic Radar Pro Bullet Plus Camera



	Power Supply	PoE (802.3at) / DC 12V \pm 10%		
	Power Consumption	Min.: 6.9W (DC 12V), 8.7W(PoE) Max.: 13W (DC 12V), 15.6W(PoE)	Min.: 5.98W (DC 12V), 7.29W(PoE) Max.: 14.5W (DC 12V), 17W(PoE)	Min.: 6.54W (DC 12V), 7.9W(PoE) Max.: 14W (DC 12V), 16W(PoE)
	Weather Proof	Up to IP67-rated for Weather-resistant Performance		
	Surge Protection	4KV		
	Weight	1623g		
	Dimensions	320mmX134mmX171mm		
	Warranty	3/5 Years		
Certifications	EMC	CE-EMC (EN 55032, EN 55035), FCC (PART 15B)		
	Safety	CE-LVD (EN IEC 62368-1)		
	Environment	CE-ROHS (Directive (EU) 2015/863 amending 2011/65/EU)		

AI Road Traffic Radar Pro Bullet Plus Camera



	Name	TS8266-X4VPE (4K)
Camera	Image Sensor	1/1.8" Progressive Scan CMOS
	Min. Illumination	Color: 0.009Lux@F1.6 B/W: 0Lux with IR on
	Shutter Time	1/100000s~1s
	Day/Night Mode	Day/Night/Auto/Customize/Schedule
	IR Wave Length	850nm (Default); 740nm (Optional)
	Illumination Distance	Up to 50m
	S/N	>55dB
Lens	Lens	8~32mm, 4X Optical Zoom
	Field of View	H44°~H13°/D51°~D15°/V25°~V7°
	Mount	Φ14
	Focus Control	Auto/Manual
	Aperture	F1.6~F1.7
	Iris Control	Auto
Road Traffic Management	Max. Vehicle Speed	120km/h
	Recognition Accuracy	>95%
	Coverage	2 lanes
	Country Region Supported	More than 80 countries and regions
	ANPR Distance	Up to 30m
	Attributes Identification	Plate Color, Vehicle Type, Vehicle Color, Vehicle Brand, No-plate Vehicle Capture, Vehicle Direction Detection, Speed Detection
	Smart Traffic Function	Evidence Camera Linkage, Specific Lane Management, Vehicle Classification & Counting
	White/Black List	Up to 20,000 records inside the camera
	LPR Smart Search	Support
Radar	Working Frequency	60GHz, 61~62GHz
	Capture Rate	>99% (Traffic jam >95%)
	Lane Coverage	1~4 Lanes (Recognition ≥95% individually)
	Tracking Target	Up to 32
	Speed Detection Range	±5km/h~±120km/h
	Speed Detection Accuracy	±0.36km/h
	Distance Detection Accuracy	±0.4m
	Angle Measurement Accuracy	±0.5°
	Installation Height	2~7m
Interface	Ethernet	1*RJ45 10M/100M Ethernet Port
	Audio I/O	1/1
	Alarm I/O	1/1

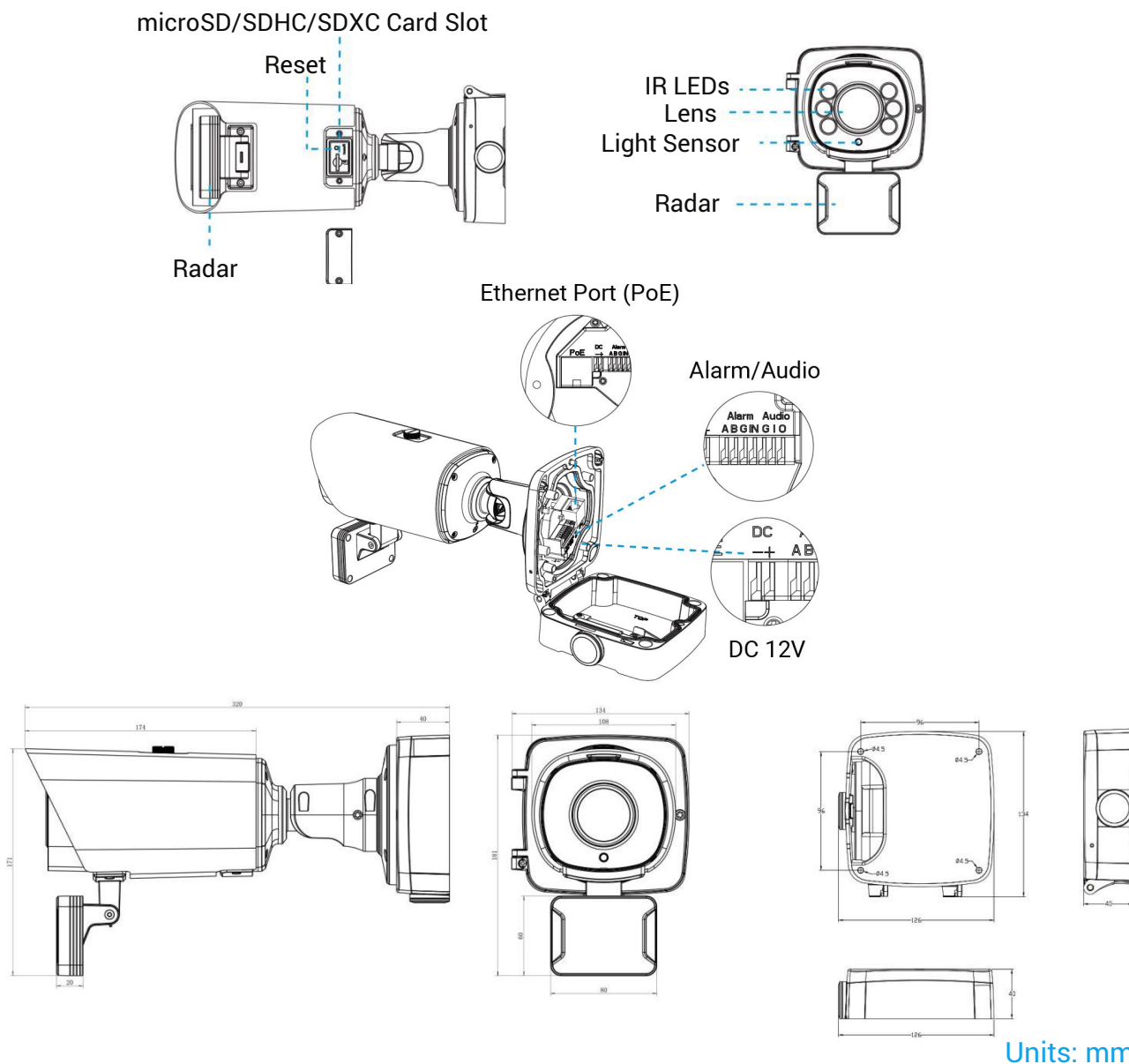
AI Road Traffic Radar Pro Bullet Plus Camera



Video	Max. Image Resolution	3840x2160
	Primary Stream	60Hz: 30fps@(3840x2160, 3072x2048, 2592x1944, 2592x1520, 2048x1536, 1920x1080, 1280x960, 1280x720) 50Hz: 25fps@(3840x2160, 3072x2048, 2592x1944, 2592x1520, 2048x1536, 1920x1080, 1280x960, 1280x720)
	Secondary Stream	60Hz: 30fps@(704x576, 640x480, 640x360, 352x288, 320x240) 50Hz: 25fps@(704x576, 640x480, 640x360, 352x288, 320x240)
	Tertiary Stream	60Hz: 30fps@(1920x1080, 1280x720, 704x576, 640x480, 640x360, 352x288, 320x240) 50Hz: 25fps@(1920x1080, 1280x720, 704x576, 640x480, 640x360, 352x288, 320x240)
	Video Compression	H.265+/H.265(HEVC)/H.264+/H.264/MJPEG
	Video Bit Rate	16Kbps~16Mbps(CBR/VBR Adjustable)
	Privacy Masking	Up to 8 Areas (Mask Area and Mosaic Area are optional)
	ROI	Up to 8 areas
	Image Setting	Brightness/Contrast/Saturation/Sharpness
Network	Network Storage	NAS(Support NFS, SMB/CIFS), ANR
	Protocol	IPv4/IPv6, ARP, TCP, UDP, RTCP, RTP, RTSP, RTMP, HTTP, HTTPS, DNS, DDNS, DHCP, FTP, NTP, SMTP, SNMP, UPnP, Bonjour, SIP, PPPoE, VLAN, 802.1x, QoS, IGMP, ICMP, SSL
Audio	Audio Compression	G.711/AAC/G.722/G.726
	Audio Sampling Rate	8/16/32/44.1/48KHz
	Audio Bit Rate	16~256kbps
	Two-way Audio	Support
System	System Compatibility	API, MQTT, HTTP, TCP, ONVIF Profile G & M & S & T
	Storage	Support microSD/SDHC/SDXC Card Local Storage, up to 1TB
	Advanced Function	BLC, HLC, 2D DNR, 3D DNR, Defog, AWB, IP Address Filtering, AGC, Anti-flicker, Corridor Mode, Deblur, Watermark
	SIP/VoIP Support	Yes, Voice & Video-over-IP
	Event Trigger	Black/White List, Attributes Event, Motion Detection, Network Disconnection, External Input, Audio Alarm, etc.
	Event Action	FTP Upload, SMTP Upload, SD Card Record, External Output, SIP Phone, HTTP Notification, etc
General	Working Temperature	-40°C~60°C
	Working Humidity	0~95%(Non-condensing)
	Power Supply	PoE (802.3at) / DC 12V ± 10%
	Power Consumption	Min.: 6.98W (DC 12V), 8.74W(PoE) Max.: 14.1W (DC 12V), 16.6W(PoE)
	Weather Proof	Up to IP67-rated for Weather-resistant Performance
	Surge Protection	4KV
	Weight	1623g
	Dimensions	320mmX134mmX171mm
	Warranty	3/5 Years
Certifications	EMC	CE-EMC (EN 55032, EN 55035), FCC (PART 15B)
	Safety	CE-LVD (EN IEC 62368-1)
	Environment	CE-ROHS (Directive (EU) 2015/863 amending 2011/65/EU)



Structure Diagrams



Accessories Support

A62 Junction Box (Default)

Weight: 510g

Dimensions: 134*126*40mm



A02 V2 Pole Mount

Weight: 1kg

Dimensions: 180*136*46mm



A03 External Corner Bracket

Weight: 900g

Dimensions: 170*152.5*76.3mm

