

8MP ColorHunter with Wise-ISP Fixed Eyeball Network Camera

IPC3628LE-ADF28(40)K-WP



Features

- High quality image with 8MP, 1/1.8"CMOS sensor and F1.0 large aperture lens
- 8MP (3840*2160)@20fps; 5MP (3072*1728)@30/25fps; 4MP (2560*1440)@30/25fps; 2MP (1920*1080) @30/25fps
- Ultra 265, H.265, H.264, MJPEG
- Colorhunter with Wise-ISP technology ensures 24-hour full-color images
- 120dB true WDR technology enables clear image in strong light scene
- Support 9:16 Corridor Mode
- Built-in Mic
- White Light, up to 30m (98ft) warm light distance
- Supports 512 GB Micro SD card
- IP67 protection
- Support PoE power supply
- 3-Axis

Specifications

| Model | IPC3628LE-ADF28K-WP | IPC3628LE-ADF40K-WP |
|------------------------------------|---|---------------------|
| Camera | | |
| Max Resolution | 8 MP | |
| Sensor | 1/1.8" CMOS | |
| Min. Illumination | Colour: 0.0003 lux (F1.0, AGC ON) | |
| Shutter | Auto/Manual, 1 ~ 1/100000s | |
| Adjustment Angle | Pan: 0° ~ 360°, Tilt: 0° ~ 90°, Rotate: 0° ~ 360° | |
| S/N | >52 dB | |
| WDR | 120 dB | |
| Lens | | |
| Focal Length | 2.8 mm | 4.0 mm |
| Iris Type | Fixed | |
| Iris | F1.0 | |
| Field of View (H) | 111.0° | 94.2° |
| Field of View (V) | 63.0° | 51.0° |
| Field of View (D) | 131.0° | 111.7° |
| Lens Type | Fixed | |
| DORI | | |
| DORI Distance (Lens) | 2.8mm | 4.0mm |
| DORI Distance (Detect) | 63.0 (206.7ft) | 90.0(295.3ft) |
| DORI Distance (Observe) | 25.2 (82.7ft) | 36.0(118.1ft) |
| DORI Distance (Recognize) | 12.6 (41.3ft) | 18.0(59.1ft) |
| DORI Distance (Identify) | 6.3 (20.7ft) | 9.0(29.5ft) |
| Illuminator | | |
| Supplemental Light | Warm light | |
| Illumination Distance (Warm Light) | 30 m (98.4 ft) | |
| Light On/Off Control | Auto/Manual | |
| Video | | |
| Video Compression | Ultra 265, H.265, H.264, MJPEG | |

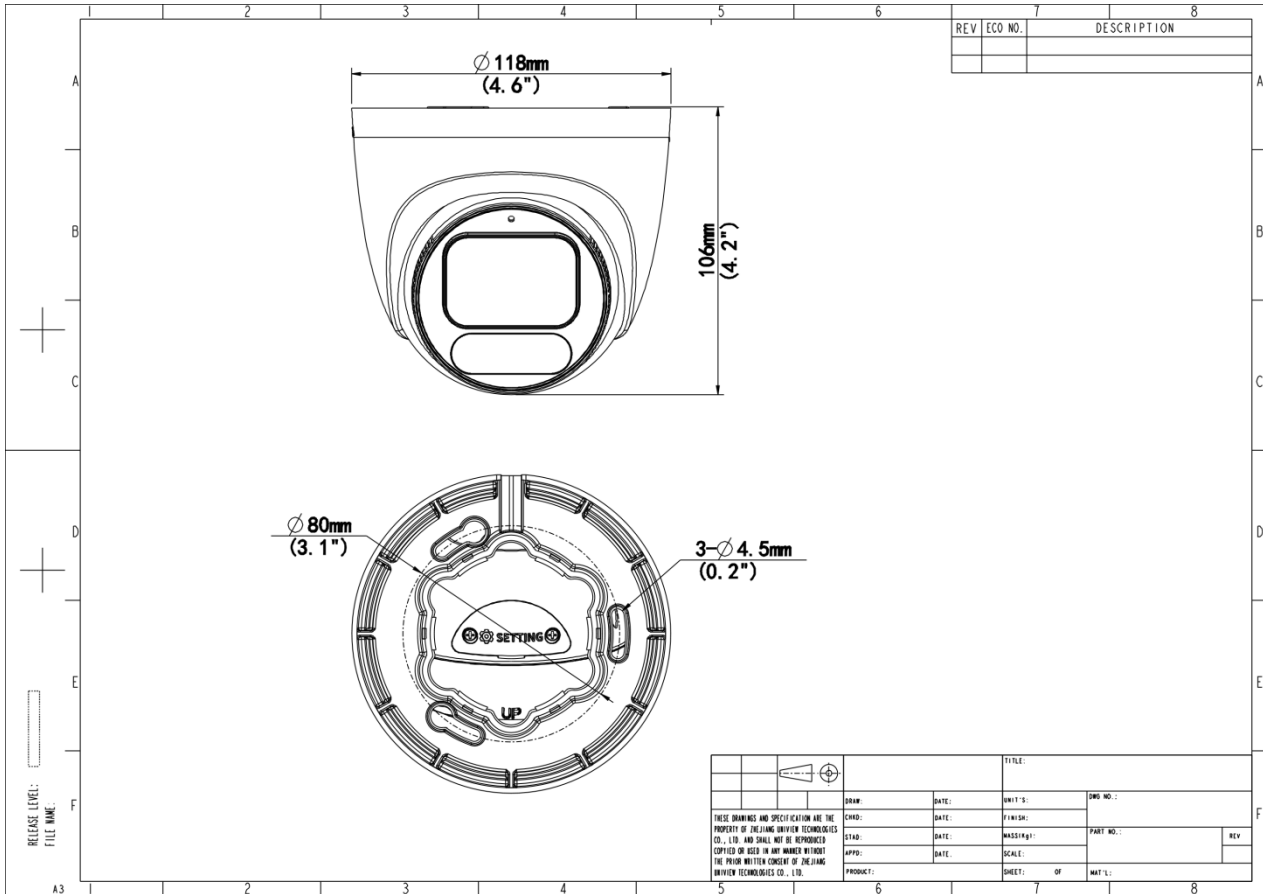
| | |
|-----------------------------------|---|
| H.264 Code Profile | Baseline profile, Main profile, High profile |
| Frame Rate | Main Stream: 8MP (3840*2160), Max 20fps; 5MP (3072*1728), Max 30fps; 4MP (2560*1440), Max 30fps; 1080P (1920*1080), Max 30fps; 720P (1280*720), Max 30fps; Sub Stream: 1080P (1920*1080), Max 30fps; 720P (1280*720), Max 30fps; D1 (720*576), Max 30fps; 640*360, Max 30fps; 2CIF (704*288), Max 30fps; CIF (352*288), Max 30fps; |
| Video Bit Rate | 128 Kbps to 6144 Kbps |
| U-code | Support |
| OSD | Up to 4 OSDs |
| Privacy Mask | Up to 4 areas |
| ROI | Support |
| Video Stream | Dual Streams |
| Image | |
| White Balance | Auto, Outdoor, Fine Tune, Sodium Lamp, Locked, Auto2 |
| Digital Noise Reduction | 2D/3D DNR |
| Smart Illumination | Support |
| Flip | Normal, Flip Vertical, Flip Horizontal, 180°, 90° Clockwise, 90° Anti-clockwise |
| Dewarping | N/A |
| HLC | Support |
| BLC | Support |
| Defog | Digital Defog |
| Image Stabilization | N/A |
| Events | |
| Basic Detection | Motion Detection, Ultra Motion Detection, Tampering Alarm, Audio Detection |
| General Function | Watermark, IP Address Filtering, Access Policy, ARP Protection, RTSP Authentication, User Authentication, HTTP Authentication |
| Intelligent | |
| Smart Intrusion Prevention (Lite) | Intrusion, Crossline Detection (Both detection are based on human body and vehicle detection) |
| Audio | |
| Audio Compression | G.711U, G.711A |
| Audio Bitrate | 64 Kbps |
| Two-way Audio | N/A |

| | |
|------------------------|--|
| Suppression | Support |
| Sampling Rate | 8 kHz |
| Storage | |
| Edge Storage | Micro SD, up to 512 GB |
| Network Storage | ANR, NAS (NFS) |
| Network | |
| Protocols | IPv4, IPv6, IGMP, ICMP, ARP, TCP, UDP, DHCP, PPPoE, RTP, RTSP, RTCP, DNS, DDNS, NTP, FTP, UPnP, HTTP, HTTPS, SMTP, 802.1x, SNMP, QoS, RTMP, SSL/TLS |
| Compatible Integration | ONVIF (Profile S, Profile G, Profile T), API, SDK |
| User/Host | Up to 32 users, 2 user levels: administrator and common user |
| Security | Password Protection, Strong Password, HTTPS Encryption, Export Operation Logs, Basic and Digest Authentication for RTSP, Digest Authentication for HTTP, TLS 1.2, WSSE and Digest Authentication for ONVIF |
| Client | UNV-Link, UNV-Link Pro, EZStation |
| Web Browser | Plug-in required live view: IE 10+, Chrome 45+, Firefox 52+, Edge 79+, Plug-in free live view: Chrome 57+, Firefox 58+, Edge 16+ |
| Interface | |
| Audio I/O | N/A |
| Alarm I/O | N/A |
| Serial Port | N/A |
| Built-in Mic | Support |
| Built-in Speaker | N/A |
| WIFI | N/A |
| Network | 1 × RJ45 10 M/100 M Base-TX Ethernet |
| Video Output | N/A |
| Certification | |
| EMC | CE-EMC (EN 55032, EN 61000-3-3, EN IEC 61000-3-2, EN 55035) FCC (FCC 47 CFR part15 B) |
| Safety | CE LVD (EN 62368-1) UL/CUL (UL 62368-1, CAN/CSA C22.2 No. 62368-1) |
| Environment | CE-RoHS (2011/65/EU;(EU)2015/863); WEEE (2012/19/EU); |
| Protection | IP67 (IEC 60529) |

| General | |
|---------------------|--|
| Power | DC 12V±25%, PoE (IEEE 802.3af) |
| Power Consumption | Max 3.9W |
| Power Interface | Ø5.5 mm coaxial power plug |
| Dimensions | Ø118 x 106mm (Ø4.6" x 4.2") (Ø x H) |
| Weight | 0.48kg(1.06lb) |
| Material | Metal + Plastic |
| Working Environment | -30 °C to 60 °C (-22 °F to 140 °F), Humidity: ≤ 95% RH (non-condensing) |
| Storage Environment | -30 °C to 60 °C (-22 °F to 140 °F), Humidity: ≤ 95% RH (non-condensing) |
| Surge Protection | 4 KV |
| Reset Button | Support |
| Web Client Language | 13 Languages: English, Simplified Chinese, Polish, German, Russian, French, Korean, Dutch, Czech, Portuguese, Spanish, Spanish (Europe), Italian |

Dimensions

Aggregate product size diagram using "main model" as an example



Accessories

TR-JB03-I-IN

Junction Box for Plastic Turret Camera
(Support wiring from behind)



TR-SE24-IN

Dome Pendant Mounting Pole 200mm



TR-UC08-C

Bullet&Dome Corner Mounting Bracket



TR-UP06-IN

Universal Pole Mounting Bracket



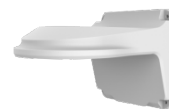
TR-A01-IN

NPT 3/4" Waterproof Cable Gland



TR-WM03-D-IN

Wall Mounting Bracket for 32 Fix-dome&Mini Fix-dome&Plastic Turret Camera



TR-JB07/WM03-G-IN

Wall Mounting Assembling Bracket For 32 Fix-dome&Mini Fix-dome&Plastic Turret Camera



TR-SE24-A-IN

Dome Pendant Mounting Pole 500mm



TR-CM24-IN

Dome Pendant Mounting Bracket(Indoor)



Zhejiang Uniview Technologies Co., Ltd.

No. 369, Xietong Road, Xixing Sub-district, Binjiang District, Hangzhou City, 310051, Zhejiang Province, China (Zhejiang) Pilot Free Trade Zone, China

Email: overseasbusiness@uniview.com; globalsupport@uniview.com

<http://www.uniview.com>

©2024-2025 Zhejiang Uniview Technologies Co., Ltd. All rights reserved.

*Product specifications and availability are subject to change without notice.

*Despite our best efforts, technical or typographical errors may exist in this document. Uniview cannot be held responsible for any such errors and reserves the right to change the contents of this document without prior notice.