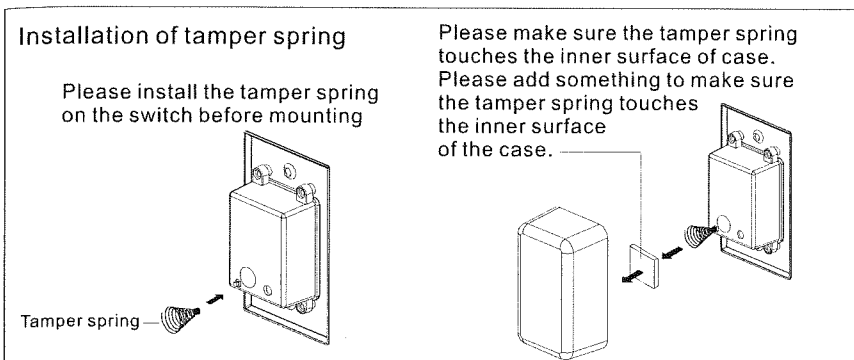
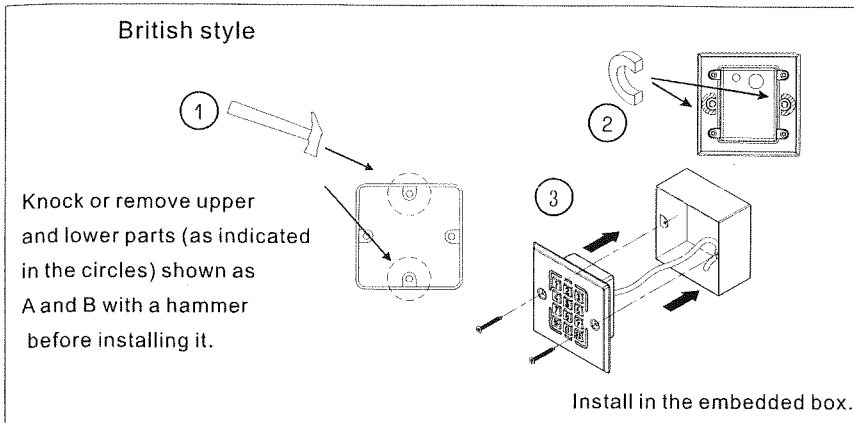
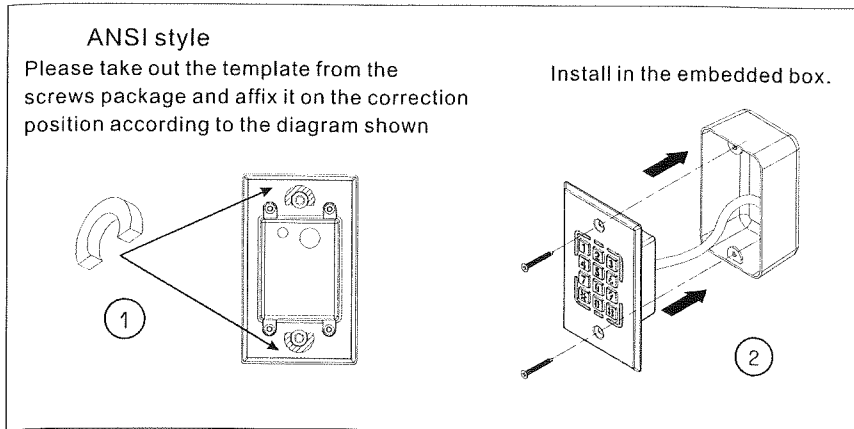
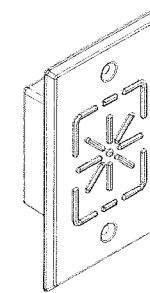


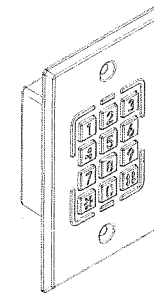
Installation Of The Unit



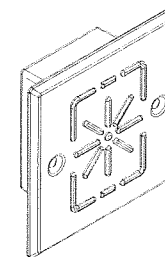
Stainless Steel Proximity Access Control System Installation Manual



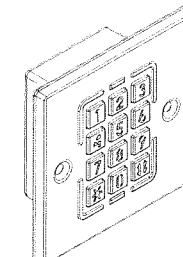
ACR-20E



ACR-19AE



ACR-21E



ACR-15AE

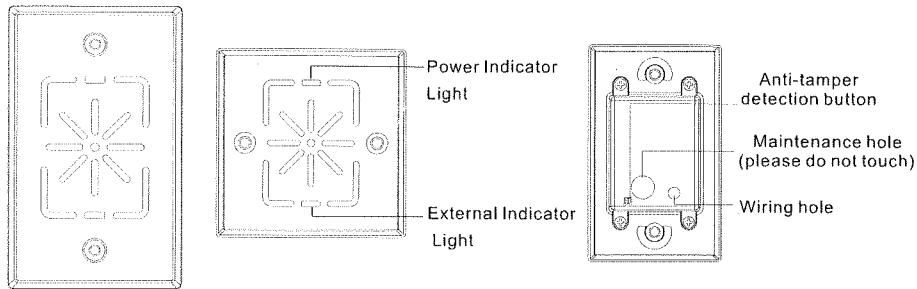
VER10.10.11

1. Specifications:

- ① Waferproof proximity reader with #304 stainless steel panel and luminous buttons which glow
- ② Dual-color (red and green) LED indicator with Wiegand signal output. External orange indicator for user toe set. One beep sound to indicate proximity.
- ③ Embedded type of installation to prevent rough surface of the wall which may cause damage to the unit.
- ④ Signal output connector available to connect with anti-theft unit (external). Signal will be sent when the reader is being moved or tampered with force.
- ⑤ Dimensions: 115mm (L) × 70mm(W) × 30.8mm(H) ◦
86mm (L) × 86mm(W) × 30.8(H) ◦
- ⑥ Power: DC12V, Power consumption: 90mA(standby), 120mA(active).

2. Reader Front Panel:

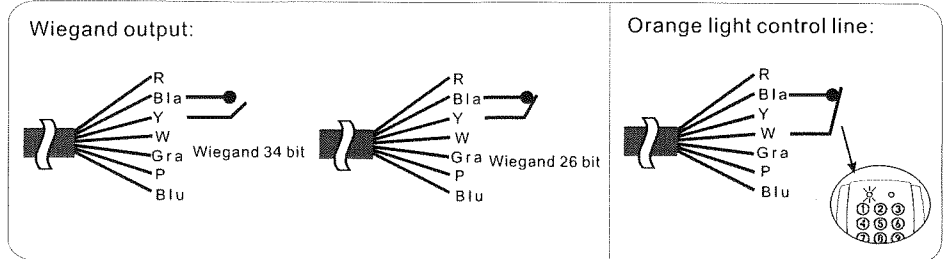
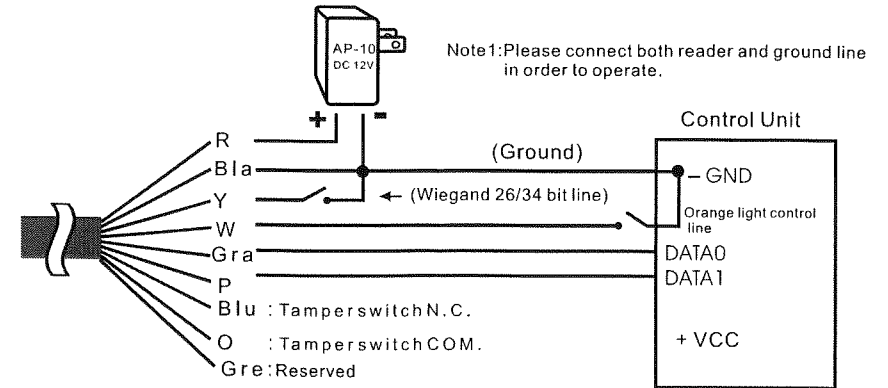
- ① Power, indicator: Standby(Red), Correct(Green).
- ② External Indicator Light: Operation(Orange).



3. Connectors:



4. Connector Wiring



5. Wiegand signal:

1. Reader's output as Standard Open Collector's 26-bit or 34-bit Wiegand.
2. Wiegand Signal 26bit:
 - Bit1 as Even parity over bit 2 to 13, Bit26 as Odd parity over bit 14~Bit25
 - Bit2~Bit25 as ID Number (000000~FFFFFF)
 - Bit1 as Even parity over bit 2 to 17, Bit34 as Odd parity over bit 18~Bit33, Bit2~Bit33 (00000000~FFFFFFF).
4. Push button's output as Wiegand 8-bit, Each button's code as the following: 0=F0, 1=E1, 2=D2..... 9=69. (The function is not available for ST-216ER and ST-218ER)

6. Precautions:

1. Before installation, please make sure the voltage and polarity of the power supply to prevent wrong connection causing damage to the reader.
2. Do not share the power supply of magnetic lock and the reader to avoid any interference.
3. The reader's output is standard open collector. Therefore, resistance of controller's input pin needs to pull high before operation.
4. Connect both negative poles of the reader and controller together for normal signal.
5. Please do not conduct any fixings or any modifications to the system, unless by qualified personnel.
6. Warranty period for the reader unit is 1 year.