

ML2801L – User Manual

Description

The ML2801L is a Single Door magnetic lock with LED.
This magnetic lock has a holding force of 280kg (600Lbs).
The lock is suitable for: Wooden doors, Glass doors, Metal door and Fireproof doors.

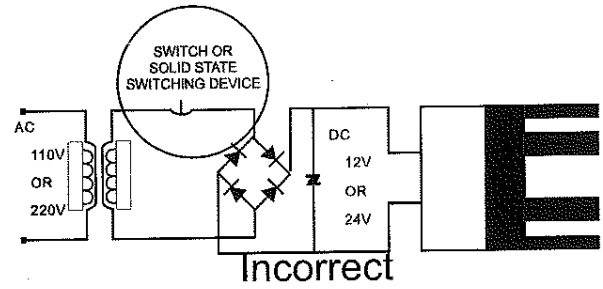
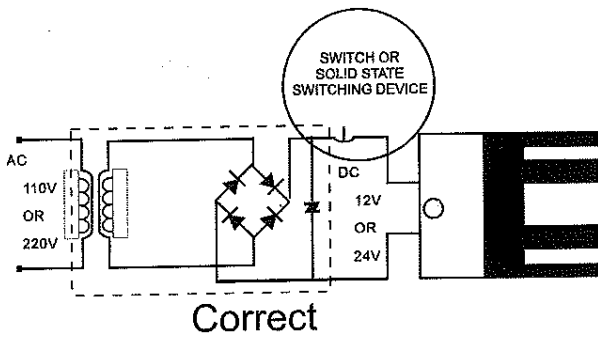
Parameters

- ✚ Wide Voltage Range: 12V/24V DC
- ✚ Holding Force: 280kg (600Lbs)
- ✚ Signal Output: Dry Contact, Max Rating of Contact Current 3A
- ✚ Red LED indicates the door is unlocked, Green indicates the door is locked
- ✚ Suitable for:
 - Wooden door
 - Glass door
 - Metal door
 - Fireproof door



Specification

Model	ML2801L
Magnetic Lock Type	Single Door Magnetic Lock with LED (600Lbs)
Lock Size	250 x 48,5 x 25
Armature plate	180 x 38 x 11
Holding Force	280kg (600Lbs)
Voltage	12/24V DC \pm 10%
Current Draw	12V/500mA 24V/250mA



PRINTED CIRCUIT BOARD SCHEMATIC

